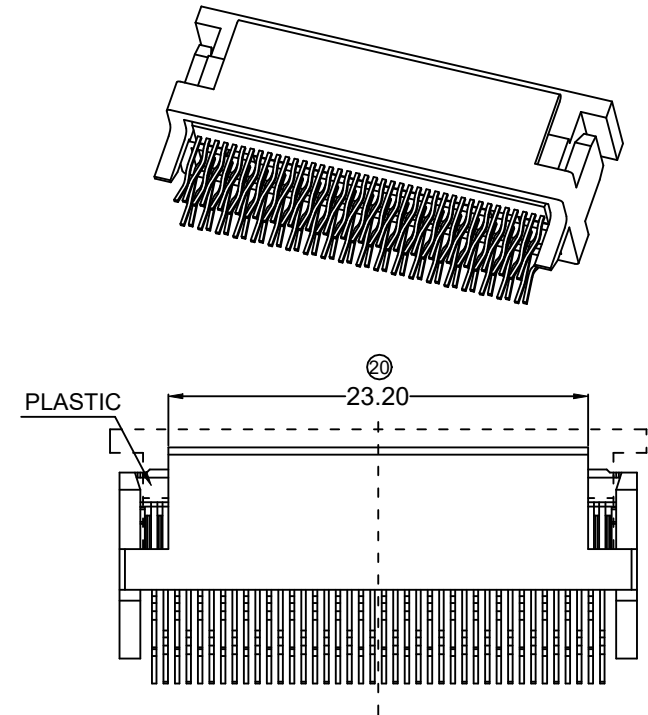
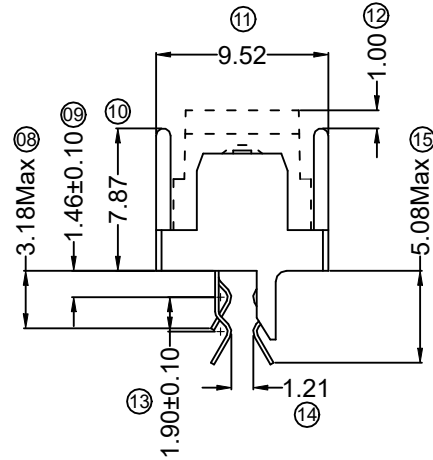
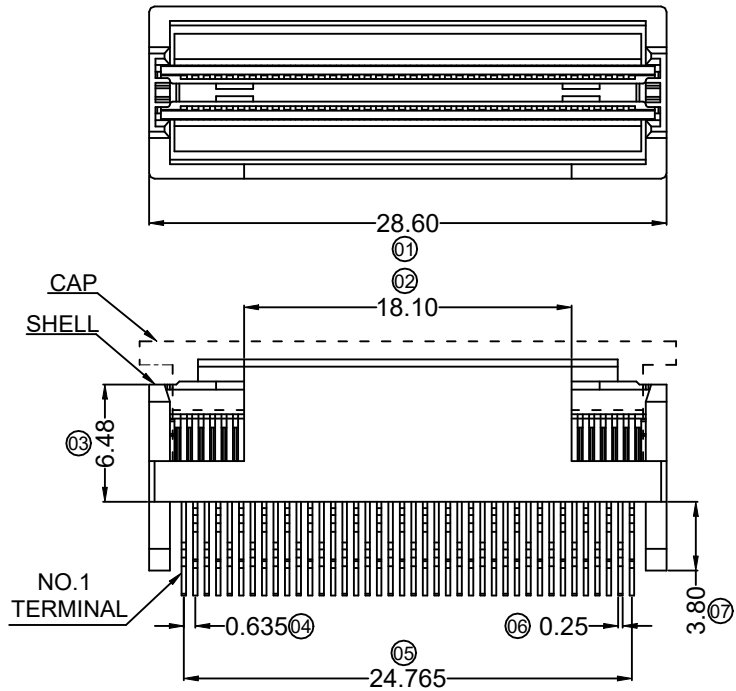


RoHS

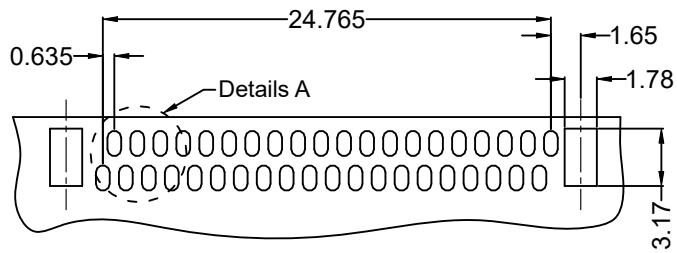
This products can apply to the HRS Doc NO. QA-3-04-005 of Environmental&Material Management Rules



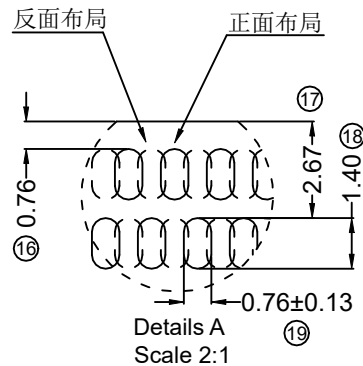
HRS-0635 W M - 2*40 - XX G30 BK

① ② ③ ④ ⑤ ⑥ ⑦

- ① Series No.
- ② Category: W-WAFER
- ③ Welding Board Angle: M- Plug
- ④ Row No.-Pin No.: 2*XX-2*40P
- ⑤ Material: 9T-PA9T LP-LCP PT-PBT0
- ⑥ Plating Category: G30-Gold Plating 30U"
- ⑦ Color : Blank-Natural Color



Mounting Flange Side Of Board
Recommended Termination Requirements



LCP UL 94V-0	Phos Bronze	Matte Tin	Molding
Material	Material (Pin&Solder tab)	Finish(Pin)	Mates With HRS Housing

					GENERAL TOLERANCE .X ±0.30 .XX ±0.20 .XXX ±0.10 X.° ±2°				Horus Int. Electronics. Co., LTD. Horustech Electronics. Co., LTD.				PART NO. HRS-0635WM-2*40 -XXG30BK																																
					APPROVAL Jack Zhang				CHECK Larry Yang				DRAWN Guo				DATE 2016/01/18				TITLE MICROPAX 0.635MM PLUG																								
2020.8.18	B	EN20200318002	Update Drawing Frame	YYting	Robing																																								
DATE	REV	ECN NO.	DESCRIPTION	MODIFY	APPROVAL	PROJECT								UNIT				SCALE				SHEET				REV				NUMBER															
										Jack Zhang				Larry Yang				Guo				2016/01/18				mm				1:1				1/1				B				CD			