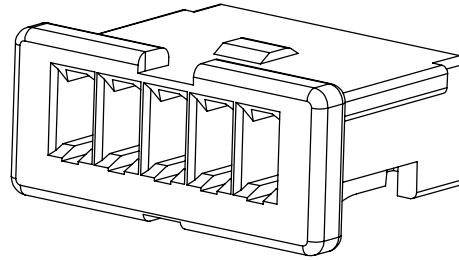
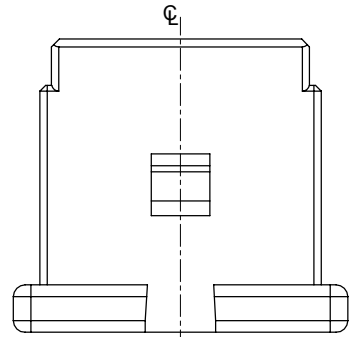


RoHS

This products can apply to the HRS Doc NO. QA-3-04-005 of Environmental&Material Management Rules

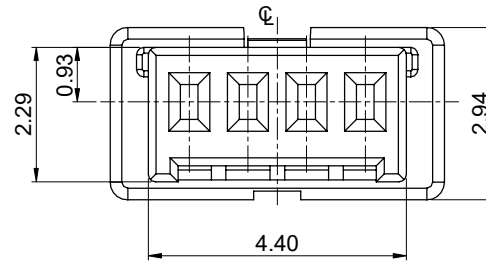
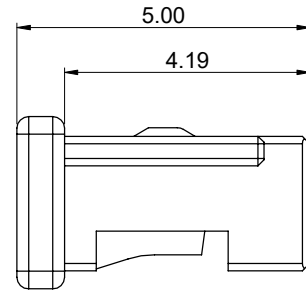
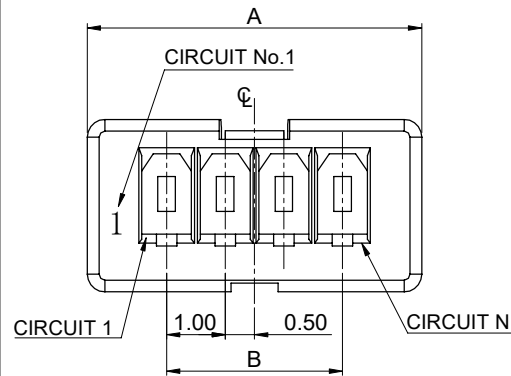


■ Specifications :

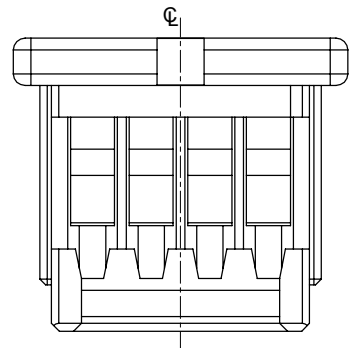
- Voltage rating: 100V AC / DC
- Current rating: 1A Max. AC / DC
- Withstanding voltage: 300V AC/minute
- Temperature range: -40°C~+105°C
- Insulation resistance: ≥100MΩ
- Contact resistance: ≤20mΩ
- After environmental testing: ≤40mΩ
- Mates With HRS Terminal: HRS1004T

HRS-1004 H - XX A - N0 HF NC  
 ① ② ③ ④ ⑤ ⑥ ⑦

- ① Series No.
- ② Category: H-Housing
- ③ Row No.-Pin No: XX-02-15Pin
- ④ Special code: A-Inner Lock
- ⑤ Plastic material: N0- PA66 UL94V-0
- ⑥ HF-Halogen Free
- ⑦ Color: NC-Natural BK-Black



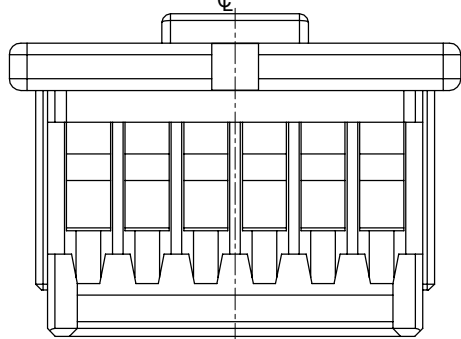
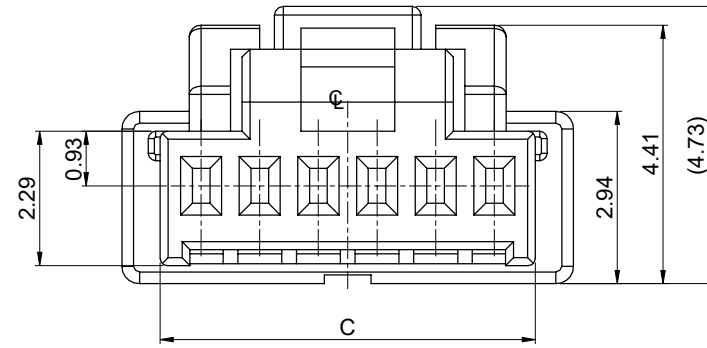
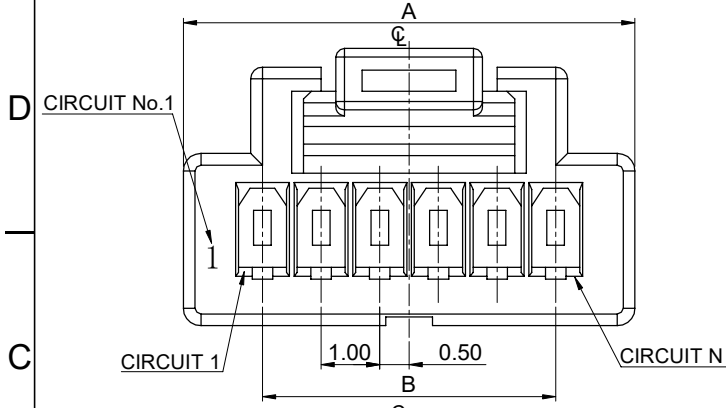
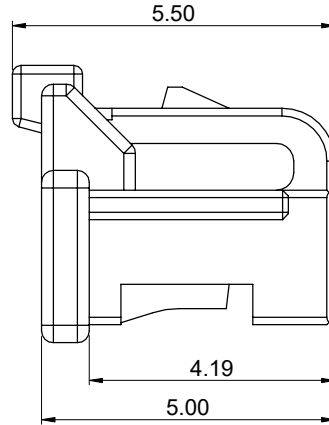
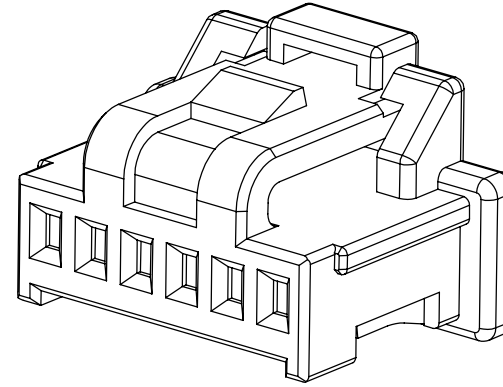
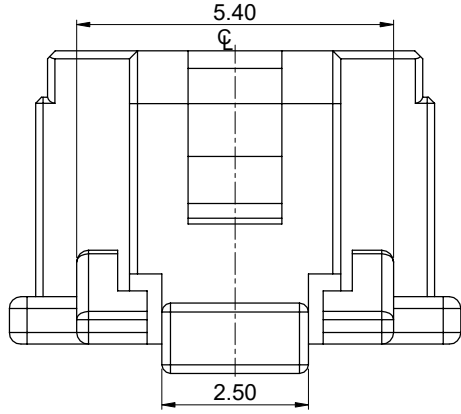
Poles	Dimensions (mm)		
	A	B	C
2	3.70	1.00	2.40
3	4.70	2.00	3.40
4	5.70	3.00	4.40
5	6.70	4.00	5.40




DATE	REV	ECN NO	DESCRIPTION	MODIFY	APPROVAL	PROJECT	APPROVAL	CHECK	DRAWN	DATE	PART NO. HRS-1004H-XXA-N0HFNC				
						Horus Int. Electronics. Co., LTD. HorusTech Electronics. Co., LTD.				TITLE					
										1.00mm Crimp Style Connectors					
										UNIT	SCALE	SHEET	REV	NUMBER	
										mm	1:1	1/2	A2	CD	
20240424	A3	/	Add color coding	Yetty Jiang	Jack Zhang		Jack Zhang	Alan	Yetty Jiang	2021/04/02					
20240305	A2	/	Updated version	Aump chua	Larry Yang										

RoHS

This products can apply to the HRS Doc NO. QA-3-04-005 of Environmental&Material Management Rules

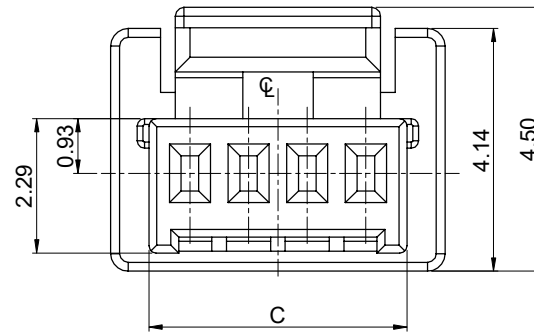
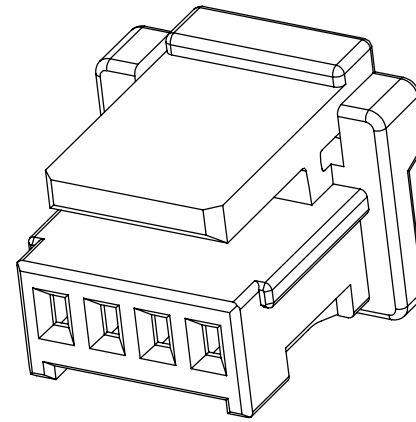
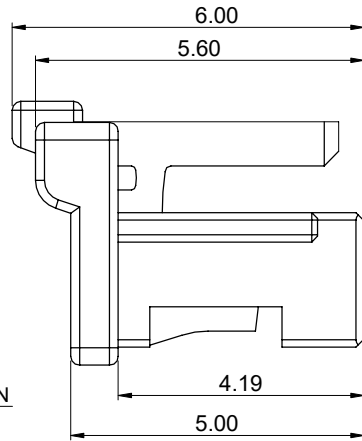
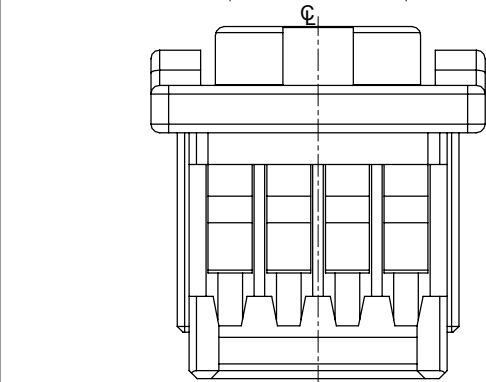
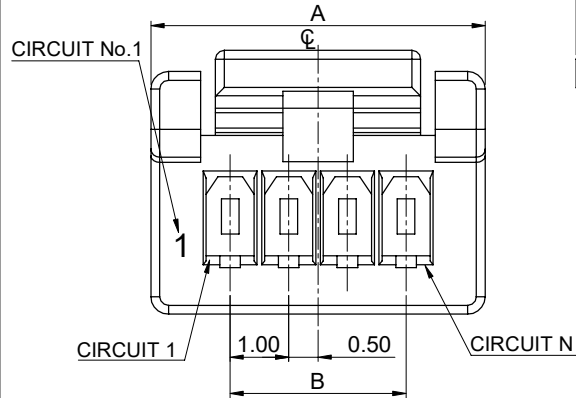
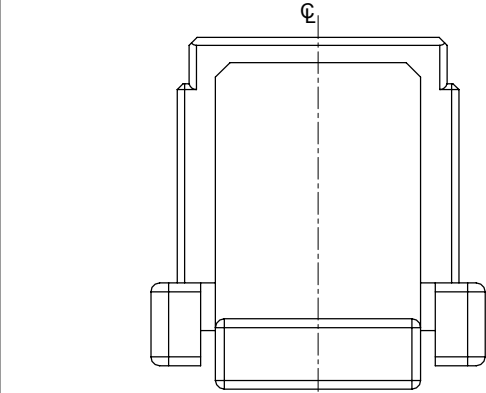


Poles	Dimensions (mm)			Poles	Dimensions (mm)		
	A	B	C		A	B	C
6	7.70	5.00	6.40	11	12.70	10.00	11.40
7	8.70	6.00	7.40	12	13.70	11.00	12.40
8	9.70	7.00	8.40	13	14.70	12.00	13.40
9	10.70	8.00	9.40	14	15.70	13.00	14.40
10	11.70	9.00	10.40	15	16.70	14.00	15.40

A	20240424	A3	/	Add color coding	Yetty Jiang	Jack Zhang	 Horus Int. Electronics Co., LTD. Horustech Electronics Co., LTD.	PART NO. HRS-1004H-XXA-N0HFNC								
	20240305	A2	/	Updated version	Aump chua	Larry Yang		APPROVAL	CHECK	DRAWN	DATE	TITLE 1.00mm Crimp Style Connectors				
	DATE	REV	ECN NO	DESCRIPTION	MODIFY	APPROVAL		Jack Zhang	Alan	Yetty Jiang	2021/04/02	UNIT mm	SCALE 1:1	SHEET 2/2	REV A2	NUMBER CD
	GENERAL TOLERANCE .X ±0.35 .XX ±0.25 .XXX ±0.15 X° ±2° PROJECT															

RoHS

This products can apply to the HRS Doc NO. QA-3-04-005 of Environmental&Material Management Rules



- Specifications :
- Voltage rating: 100V AC / DC
  - Current rating: 1A Max. AC / DC
  - Withstanding voltage: 300V AC/minute
  - Temperature range: -40°C~+105°C
  - Insulation resistance: ≥100MΩ
  - Contact resistance: ≤20mΩ
  - After environmental testing: ≤40mΩ
  - Mates With HRS Terminal: HRS1004T

HRS- 1004 H - XX B - N0 HF NC  
 ① ② ③ ④ ⑤ ⑥ ⑦

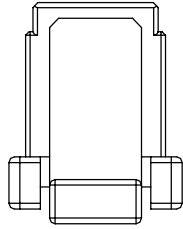
- ① Series No.
- ② Category: H-Housing
- ③ Row No.-Pin No: XX-02-15Pin
- ④ Special code: B-Outer Lock
- ⑤ Plastic material: N0- PA66 UL94V-0
- ⑥ HF-Halogen Free
- ⑦ Color: NC-Natural

Poles	Dimensions (mm)		
	A	B	C
3	4.70	2.00	3.40
4	5.70	3.00	4.40
5	6.70	4.00	5.40
6	7.70	5.00	6.40
12	13.70	11.00	12.40

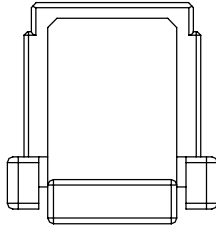
					GENERAL TOLERANCE		Horus Int. Electronics. Co., LTD. Horustech Electronics. Co., LTD.				PART NO.				
					.X ±0.35						HRS-1004H-XXB-N0HFNC				
					.XX ±0.25		APPROVAL    CHECK    DRAWN    DATE				TITLE				
					.XXX ±0.15						1.00mm Crimp Style Connectors				
					X° ±2°		Jack Zhang    Larry Yang    BIN    2021/04/02				UNIT    SCALE    SHEET    REV    NUMBER				
2024/03/05    A2    /    Updated version    Aump chua    Larry Yang					PROJECT						mm    1:1    1/2    A2    CD				
DATE	REV	ECN NO	DESCRIPTION	MODIFY	APPROVAL										

RoHS

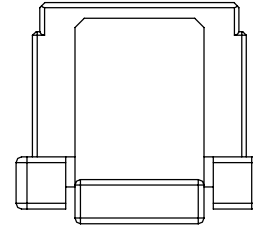
This products can apply to the HRS Doc NO. QA-3-04-005 of Environmental&Material Management Rules



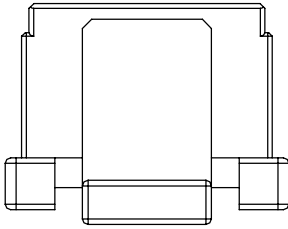
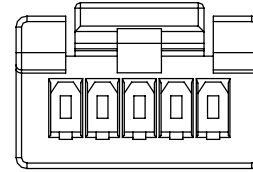
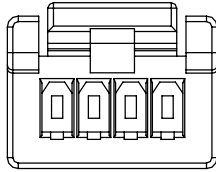
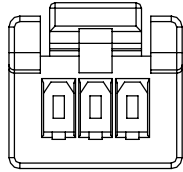
3Pin



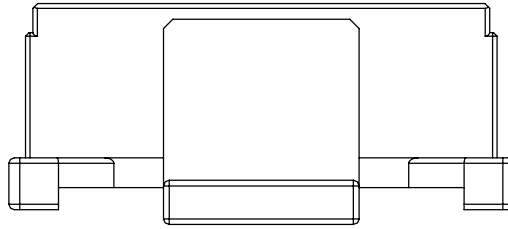
4Pin



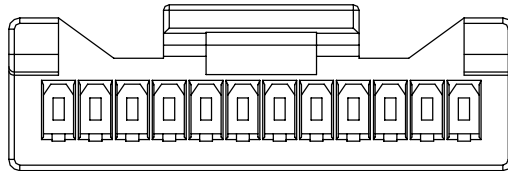
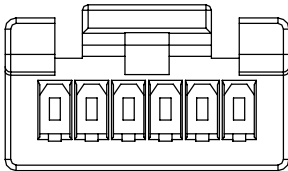
5Pin



6Pin



12Pin



2024/03/05	A2	/	Updated version	Aump chua	Larry Yang
DATE	REV	ECN NO	DESCRIPTION	MODIFY	APPROVAL

GENERAL TOLERANCE	
.X	±0.35
.XX	±0.25
.XXX	±0.15
X.°	±2°
PROJECT	



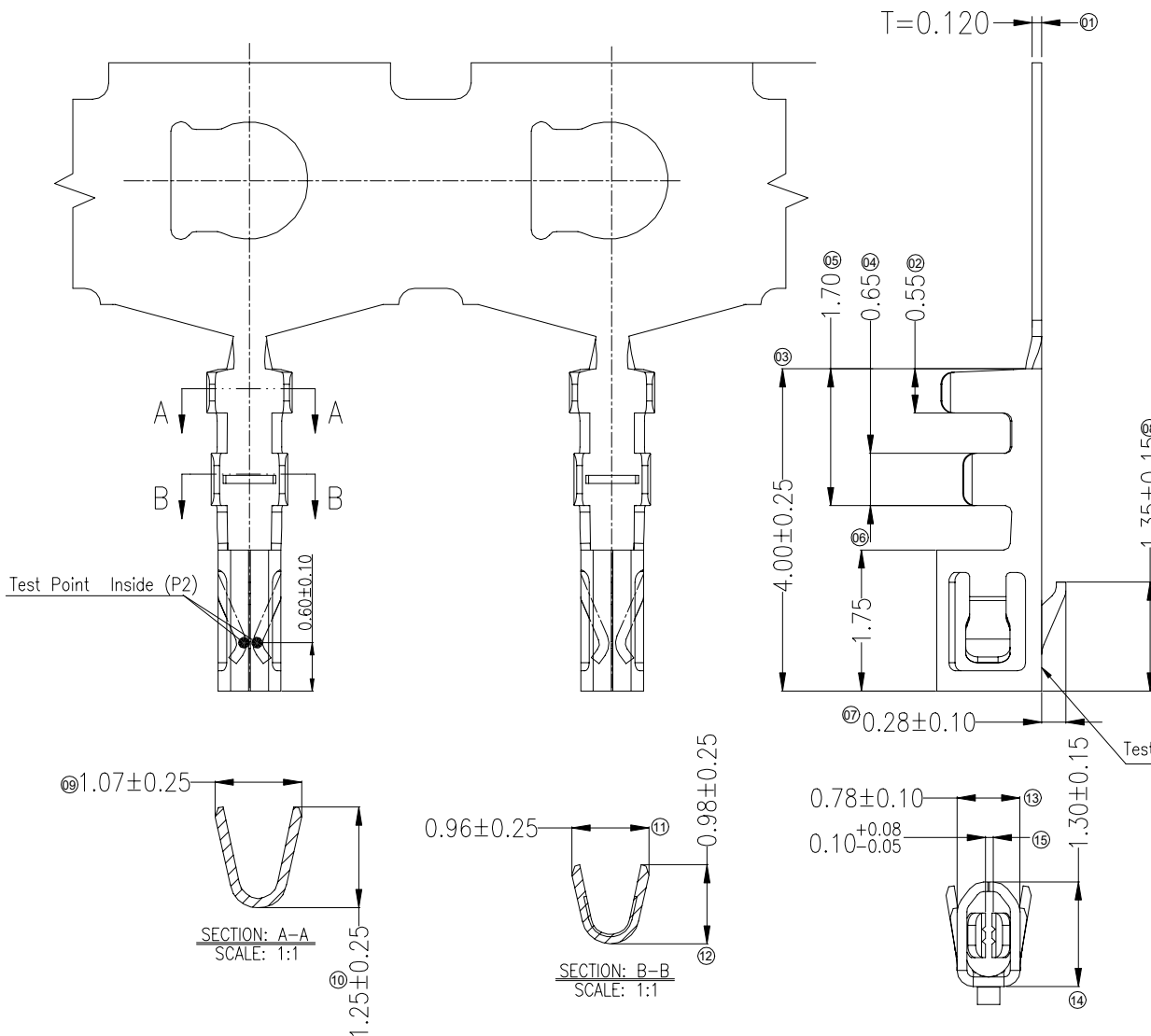
Horus Int. Electronics. Co., LTD.  
Horus Int. Electronics. Co., LTD.

APPROVAL	CHECK	DRAWN	DATE
Jack Zhang	Larry Yang	BIN	2021/04/02

PART NO. HRS-1004H-XXB-N0HFNC				
TITLE 1.00mm Crimp Style Connectors				
UNIT	SCALE	SHEET	REV	NUMBER
mm	1:1	2/2	A2	CD

RoHS

This products can apply to the HRS Doc NO. QA-3-04-005 of Environmental&Material Management Rules



Specifications :

- Voltage rating: 50V AC / DC
- Current rating: 1A AC / DC
- Withstanding voltage: 250V AC/minute
- Temperature range: -40°C~+105°C
- Insulation resistance: ≥100MΩ
- Contact resistance: <20mΩ
- After environmental testing: <40mΩ
- Wire Range: AWG#28~32, 34+34AWG, 33+33AWG
- Insulation O.D.: 0.80mm(Max)
- Mates With HRS Housing: HRS1004H

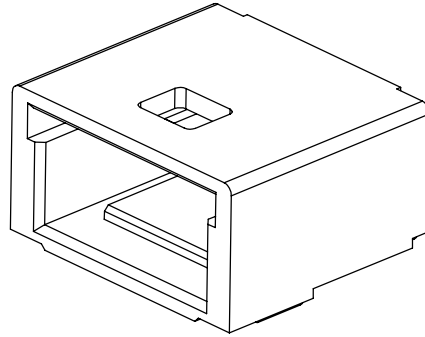
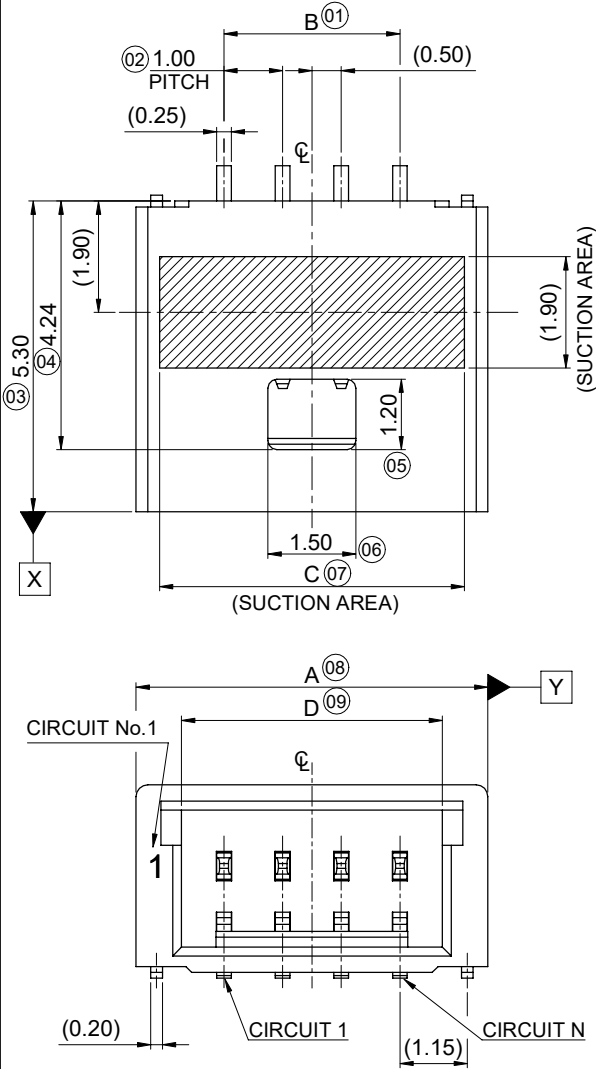
HRS-1004 T X-P XXX X-X  
① ② ③ ④ ⑤ ⑥ ⑦

- ① Series Number
- ② Category: T-terminal
- ③ Shape: Blank-ordinary
- ④ Material: P-Phosphor bronze
- ⑤ Plating code:  
SN-Bright Tin Plating 100u" Min.; Nickel 50u" Min  
SW-Matte Tin Plating 100u" Min.; Nickel 50u" Min  
V01-Contact Area Gold flash. Other Area: Gold flash  
Ni: 50u" Min.  
V05-Contact Area Gold 5u" Min. Other Area: Gold flash  
Ni: 30u" Min.  
V04-Contact Area Gold 4u" Min. Other Area: Gold flash  
Ni: 30u" Min.  
V15-Contact Area Gold 15u" Min. Other Area Gold flash.  
Ni: 30u" Min.  
V30-Contact Area Gold 30u" Min. Other Area Gold flash.  
Ni: 30u" Min.
- ⑥ Plating method:  
Blank-Stamping before plating B-Plating before stamping
- ⑦ Special No.: C-Two ran two plating (Test Point: P2)  
Blank-One ran one plating (Test Point: P1)

20240621	F6	EN20240621002	Updated nickel base thickness for thick gold plating specification	Aump chua	Larry Yang	GENERAL TOLERANCE .X ±0.30 .XX ±0.20 .XXX ±0.10 X.' ±2'	Horus Int. Electronics. Co., LTD. Horus Int. Electronics. Co., LTD.	PART NO. HRS-1004T-PXXXX-X			
20230620	F5	/	Added 34+34AWG, 33+33AWG wiring specifications	Sunny Huang	Larry Yang			TITLE 1.00mm Crimp Style Connectors			
20220811	F4	/	The temperature change	Wangcheng	Larry Yang	APPROVAL	CHECK	DRAWN	DATE	UNIT mm	
DATE	REV	ECN NO.	DESCRIPTION	MODIFY	APPROVAL	PROJECT Jack Zhang	Sunny Huang	Wuxiaotao	2016/04/29	SCALE 1:1	SHEET 1/1
										REV F6	NUMBER CD

RoHS

This products can apply to the HRS Doc NO. QA-3-04-005 of Environmental&Material Management Rules



Poles	Dimensions (mm)			
	A	B	C	D
2	4.00	1.00	3.20	2.45
3	5.00	2.00	4.20	3.45
4	6.00	3.00	5.20	4.45
5	7.00	4.00	6.20	5.45

Specifications :

- Voltage rating: 100V AC / DC
- Current rating: 1A Max. AC / DC
- Withstanding voltage: 300V AC/minute
- Temperature range: -40°C~+105°C
- Insulation resistance: ≥100MΩ
- Contact resistance: ≤20mΩ
- After environmental testing: ≤40mΩ
- Material(Pin): Phosphor bronze
- Mates With HRS Housing:HRS1004H
- Symbols for SPC dimensions:" ★ "

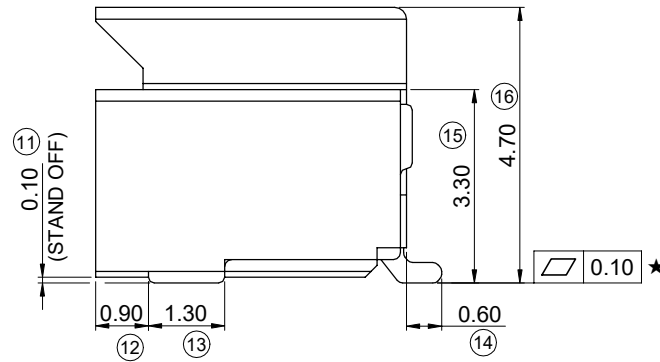
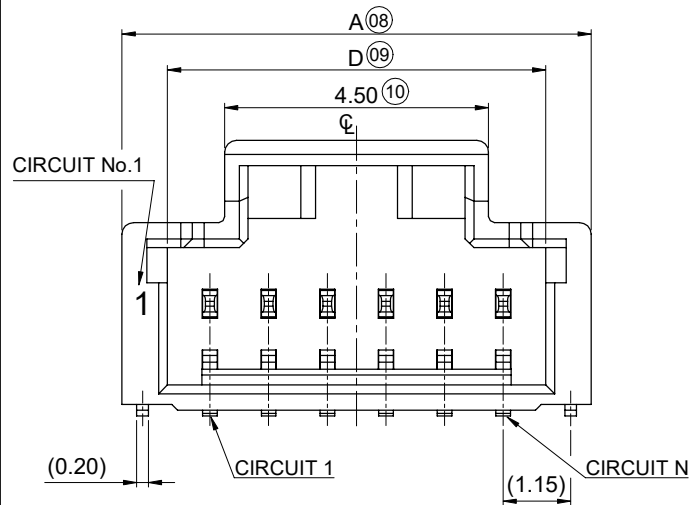
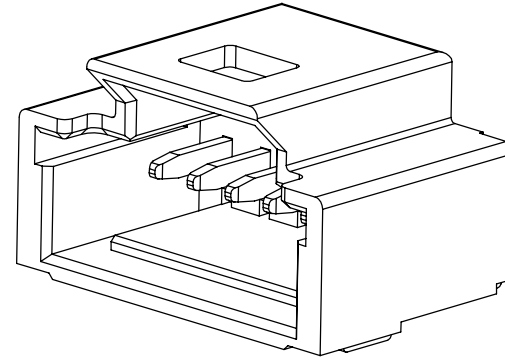
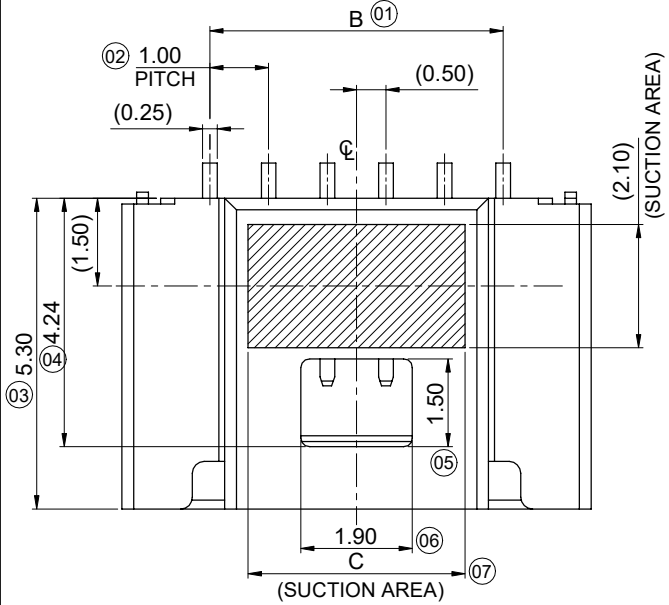
HRS- 1004 W R S - XX A HF - XX XXX X R  
 ① ② ③ ④ ⑤ ⑥ ⑦ ⑧ ⑨ ⑩ ⑪

- ① Series No.
- ② Category: W-wafer
- ③ Connector Type: R-Right Angle 90°
- ④ Mouting Type: S-SMT
- ⑤ Row No.-Pin No: XX-02-15Pin
- ⑥ Special code: A-Inner Lock
- ⑦ HF-Halogen Free
- ⑧ Plastic material: 4T- PA4T UL94V-0 LP- LCP UL94V-0
- ⑨ Plating Code:
  - SW1-Matte Tin plating 100u" Min. overall, Ni50-100u" under plating.
  - V01-G/F plating overall, Ni50-100u" under plating.
  - V04-Au4u" Min.plating on contact area, G/F plating on solder area, Ni50-100u" under plating.
  - V10-Au10u" Min.plating on contact area, G/F plating on solder area, Ni50-100u" under plating.
  - V15-Au15u" Min.plating on contact area, G/F plating on solder area, Ni50-100u" under plating.
  - V30-Au30u" Min.plating on contact area, G/F plating on solder area, Ni50-100u" under plating.
  - GW04-Au 4u" Min.plating on contact area, Matte tin100u"-160u" plating on solder area, Ni50-100u" under plating.
  - GW15-Au15u" Min.plating on contact area, Matte tin100u"-160u" plating on solder area, Ni50-100u" under plating.
- ⑩ Color: E-Becky color N-Natural color B-Black color
- ⑪ Packing: R-Reel

						GENERAL TOLERANCE .X ±0.30 .XX ±0.20 .XXX±0.10 X.° ±2°				Horus Int. Electronics. Co., LTD. Horustech Electronics. Co., LTD.				PART NO. HRS-1004WRS-XXAHF-XXXXXXR																					
2024.04.13						A4				/				Updated version					Aump chua		Larry Yang		APPROVAL		CHECK		DRAWN		DATE		TITLE 1.00mm Crimp Style Connectors				
DATE		REV		ECN NO.		DESCRIPTION				MODIFY		APPROVAL		PROJECT		Jack Zhang		Larry Yang		BIN		2021/04/02		UNIT	SCALE	SHEET	REV	NUMBER							
1		2		3		4				5		6		7		8		mm		1:1		1/3		A4		CD									

RoHS

This products can apply to the HRS Doc NO. QA-3-04-005 of Environmental&Material Management Rules



Poles	Dimensions (mm)			
	A	B	C	D
6	8.00	5.00	3.70	6.45
7	9.00	6.00	3.70	7.45
8	10.00	7.00	3.70	8.45
9	11.00	8.00	3.70	9.45
10	12.00	9.00	3.70	10.45
11	13.00	10.00	3.70	11.45
12	14.00	11.00	3.70	12.45
13	15.00	12.00	3.70	13.45
14	16.00	13.00	3.70	14.45
15	17.00	14.00	3.70	15.45

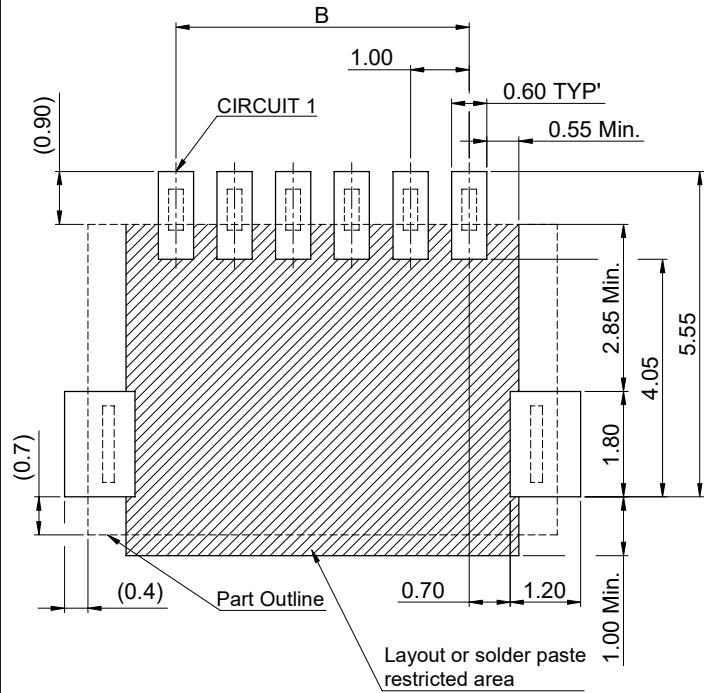
					GENERAL TOLERANCE .X ±0.30 .XX ±0.20 .XXX±0.10 X° ±2°				Horustech Horus Int. Electronics. Co., LTD. Horustech Electronics. Co., LTD.				PART NO. HRS-1004WRS-XXAHF-XXXXXXR				
2024.04.13					A4				/				Updated version				
DATE					REV				ECN NO.				DESCRIPTION				
1					2				3				4				
5					6				7				8				
APPROVAL					CHECK				DRAWN				DATE				
Jack Zhang					Larry Yang				BIN				2021/04/02				
UNIT					SCALE				SHEET				REV				
mm					1:1				2/3				A4				
NUMBER					CD												

RoHS

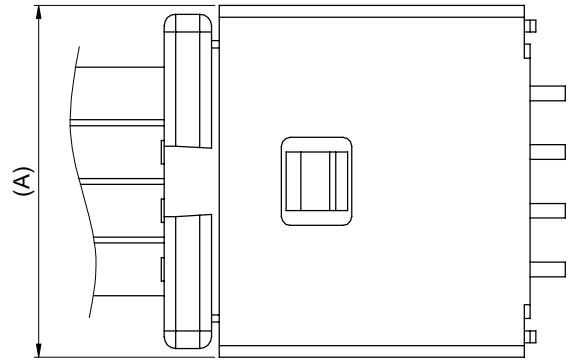
This products can apply to the HRS Doc NO. QA-3-04-005 of Environmental&Material Management Rules

F  
E  
D  
C  
B  
A

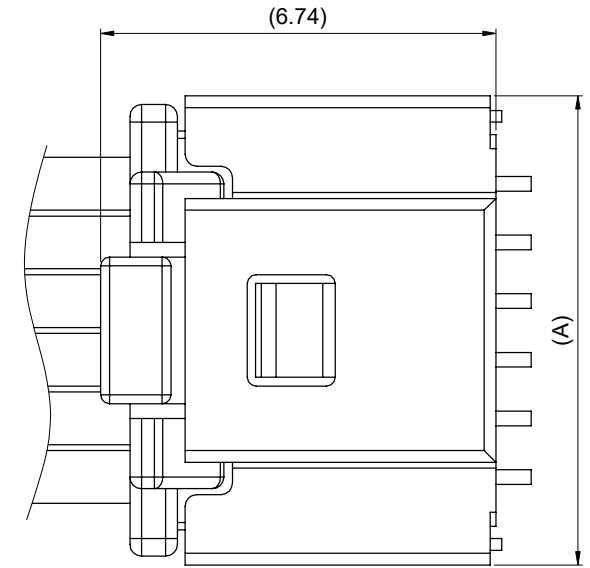
F  
E  
D  
C  
B  
A



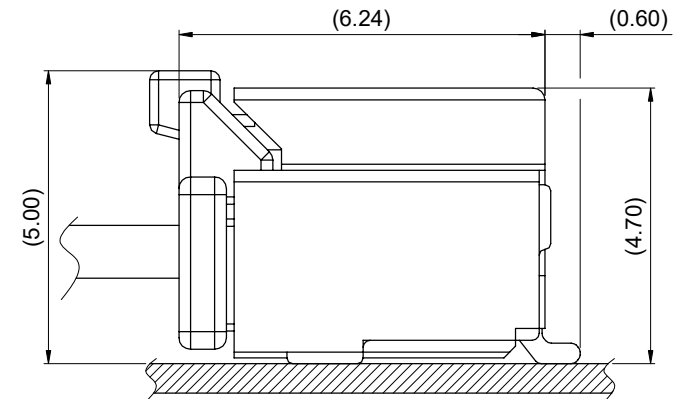
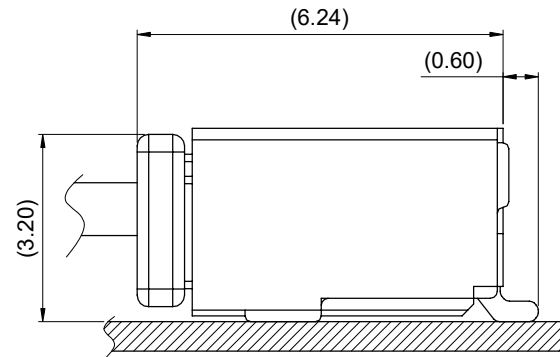
Recommended PCB Layout (General Tolerance:±0.05)




2-5 Poles



6-15 Poles



						GENERAL TOLERANCE	 Horus Int. Electronics Co., LTD. Horustech Electronics Co., LTD.	PART NO.							
						.X ±0.30		HRS-1004WRS-XXAHF-XXXXXXR							
						.XX ±0.20		TITLE							
						.XXX±0.10		1.00mm Crimp Style Connectors							
2024.04.13	A4	/	Updated version	Aump chua	Larry Yang	X.° ±2°	APPROVAL	CHECK	DRAWN	DATE	UNIT	SCALE	SHEET	REV	NUMBER
DATE	REV	ECN NO.	DESCRIPTION	MODIFY	APPROVAL	PROJECT	Jack Zhang	Larry Yang	BIN	2021/04/02	mm	1:1	3/3	A4	CD



1 2 3 4 5 6 7 8



RoHS

This products can apply to the HRS Doc NO. QA-3-04-005 of Environmental&Material Management Rules

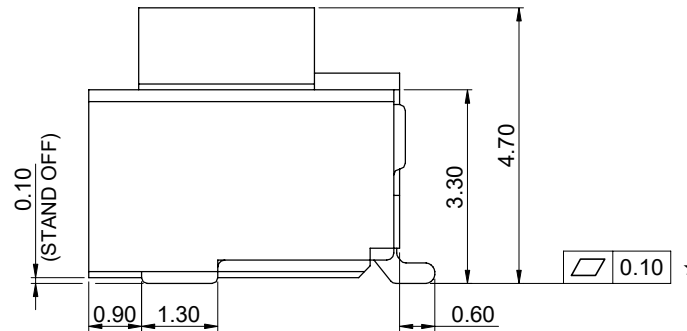
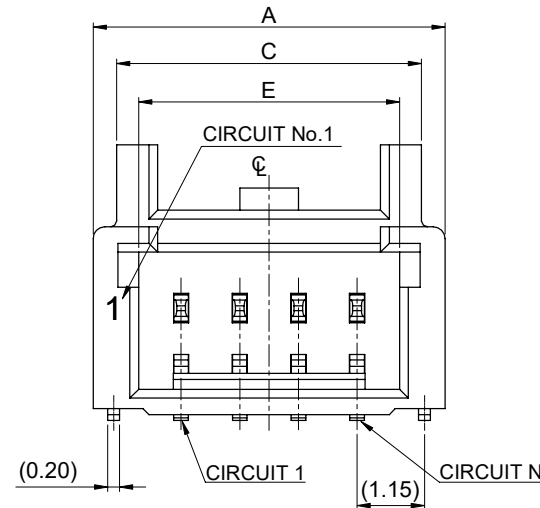
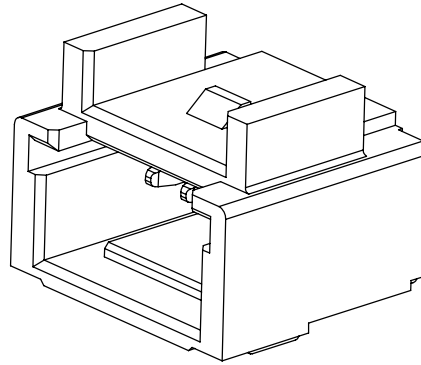
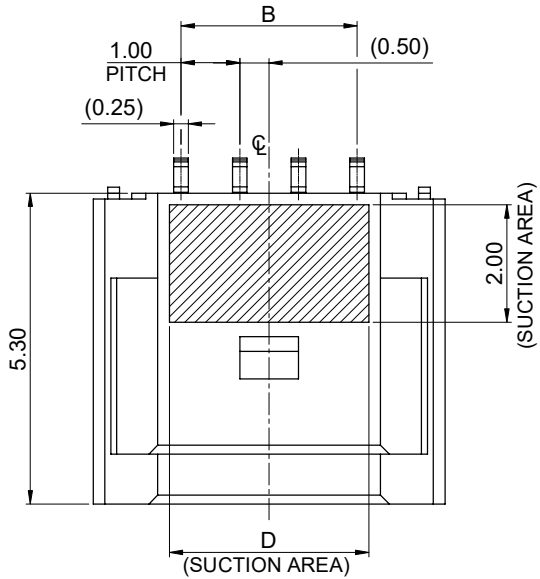
■ Specifications :

- Voltage rating: 100V AC / DC
- Current rating: 1A Max. AC / DC
- Withstanding voltage: 300V AC/minute
- Temperature range: -40°C~+105°C
- Insulation resistance: ≥100MΩ
- Contact resistance: ≤20mΩ
- After environmental testing: ≤40mΩ
- Material(Pin): Phosphor bronze
- Material(Nail) : Brass
- Mates With HRS Housing:HRS1004H
- Symbols for SPC dimensions: " ★ "

HRS- 1004 W R S - XX B HF - 4T XXX E R  
 ① ② ③ ④ ⑤ ⑥ ⑦ ⑧ ⑨ ⑩ ⑪

- ① Series No.
- ② Category: W-wafer
- ③ Connector Type: R-Right Angle 90°
- ④ Mounting Type: S-SMT
- ⑤ Row No.-Pin No: XX-02-15Pin
- ⑥ Special code: B-Outer Lock
- ⑦ HF-Halogen Free
- ⑧ Plastic material: 4T- PA4T UL94V-0
- ⑨ Plating Code:  
 SW1-Matte Tin plating 100u" Min. overall,  
 Ni50u" Min. under plating.  
 V01-G/F plating overall, Ni50u" Min. under plating.  
 V04-Au4u" Min.plating on contact area,  
 G/F plating on solder area,  
 Ni50u" Min. under plating.  
 V15-Au15u" Min.plating on contact area,  
 G/F plating on solder area,  
 Ni50u" Min. under plating.  
 V30-Au30u" Min.plating on contact area,  
 G/F plating on solder area,  
 Ni50u" Min. under plating.
- ⑩ Color: E-Becky color
- ⑪ Packing: R-Reel

Poles	Dimensions (mm)				
	A	B	C	D	E
3	5.00	2.00	4.20	2.40	3.45
4	6.00	3.00	5.20	3.40	4.45
5	7.00	4.00	5.20	3.40	5.45
6	8.00	5.00	5.20	3.40	6.45
12	14.00	11.00	7.00	3.40	12.45



DATE	REV	ECN NO	DESCRIPTION	MODIFY	APPROVAL	GENERAL TOLERANCE				APPROVAL	CHECK	DRAWN	DATE	PART NO.					
						.X	±0.35	.XX	±0.25					.XXX	±0.15	X.°	±2°	HRS-1004WRS-XXBHF-4TXXXER	
														TITLE					
														1.00mm Crimp Style Connectors					
														UNIT	SCALE	SHEET	REV	NUMBER	
														mm	1:1	1/2	A2	CD	
2024/03/05	A2	/	Updated version	Aump chua	Larry Yang														
2022/10/24	A1	/	The 6Pin and 12Pin specifications are added	Alan	Larry Yang														

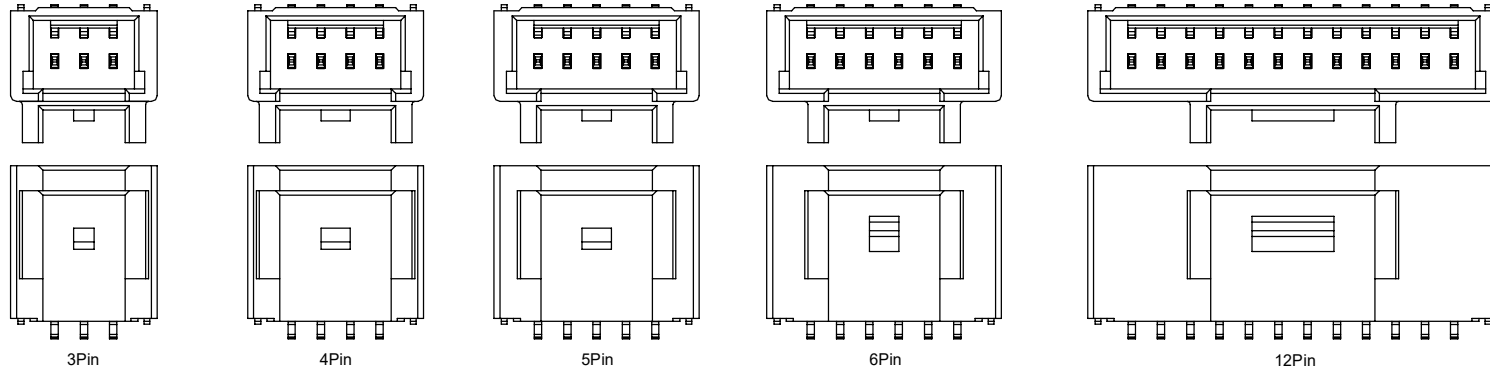


Horus Int. Electronics Co., LTD.  
 Horustech Electronics Co., LTD.

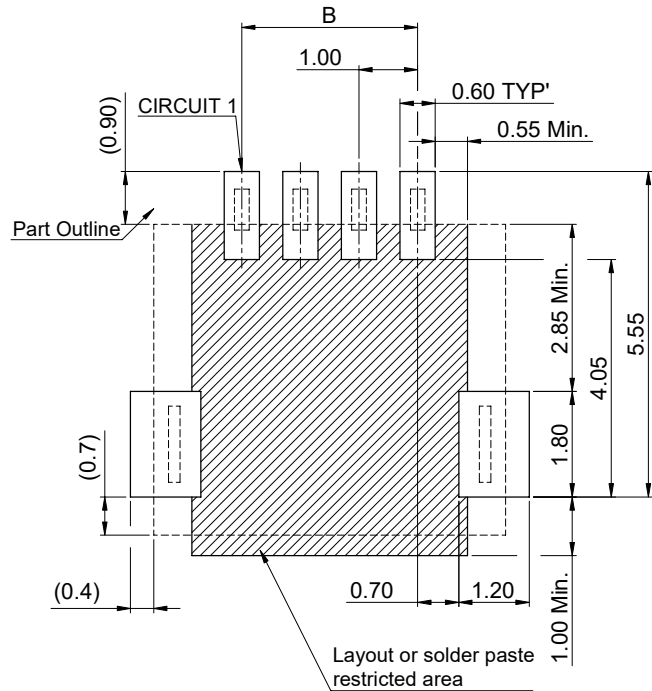
PART NO.				
HRS-1004WRS-XXBHF-4TXXXER				
TITLE				
1.00mm Crimp Style Connectors				
UNIT	SCALE	SHEET	REV	NUMBER
mm	1:1	1/2	A2	CD

RoHS

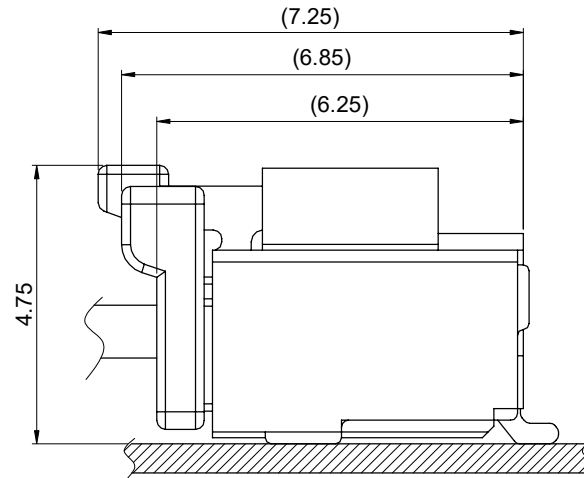
This products can apply to the HRS Doc NO. QA-3-04-005 of Environmental&Material Management Rules



SCALE 1:2



Recommended PCB Layout (General Tolerance:±0.05)



						<p>GENERAL TOLERANCE</p> <p>.X ±0.35</p> <p>.XX ±0.25</p> <p>.XXX ±0.15</p> <p>X° ±2°</p> <p>PROJECT</p>				<p>Horus Int. Electronics. Co., LTD.</p> <p> Horustech Horustech Electronics. Co., LTD.</p>				<p>PART NO.</p> <p>HRS-1004WRS-XXBHF-4TXXXER</p>																			
						<p>APPROVAL</p> <p>Jack Zhang</p>				<p>CHECK</p> <p>Larry Yang</p>				<p>DRAWN</p> <p>BIN</p>				<p>DATE</p> <p>2021/04/02</p>				<p>TITLE</p> <p>1.00mm Crimp Style Connectors</p>											
														<p>UNIT</p> <p>mm</p>				<p>SCALE</p> <p>1:1</p>				<p>SHEET</p> <p>2/2</p>				<p>REV</p> <p>A2</p>				<p>NUMBER</p> <p>CD</p>			

A

A

1 2 3 4 5 6 7 8

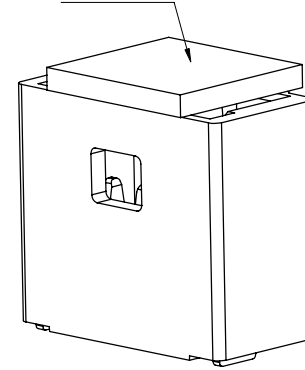
RoHS

This products can apply to the HRS Doc NO. QA-3-04-005 of Environmental&Material Management Rules

Specifications :

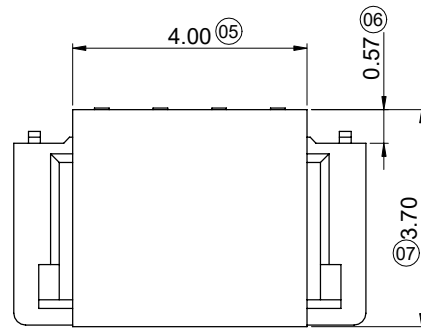
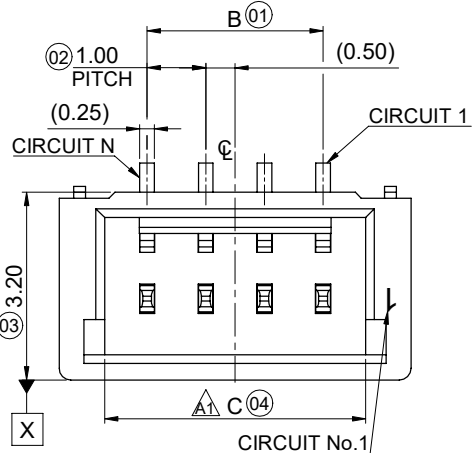
- Voltage rating: 100V AC / DC
- Current rating: 1A Max. AC / DC
- Withstanding voltage: 300V AC/minute
- Temperature range: -40°C~+105°C
- Insulation resistance: ≥100MΩ
- Contact resistance: ≤20mΩ
- After environmental testing: ≤40mΩ
- Material(Pin): Phosphor bronze
- Mates With HRS Housing: HRS1004H
- Cap color: The Black housing matches the Black Cap, and the Becky color and the Natural color housing matches the Natural color Cap
- Symbols for SPC dimensions: " ★ "

Cap color: See Specifications

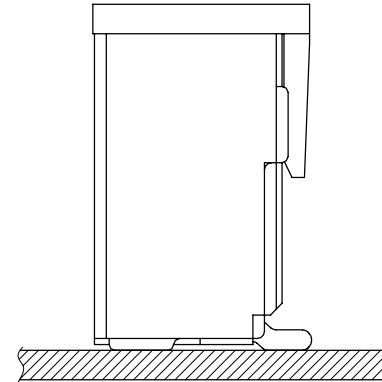
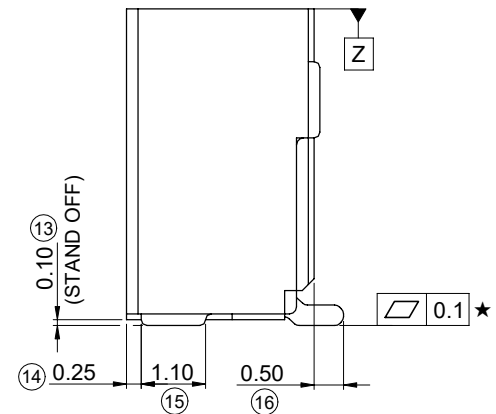
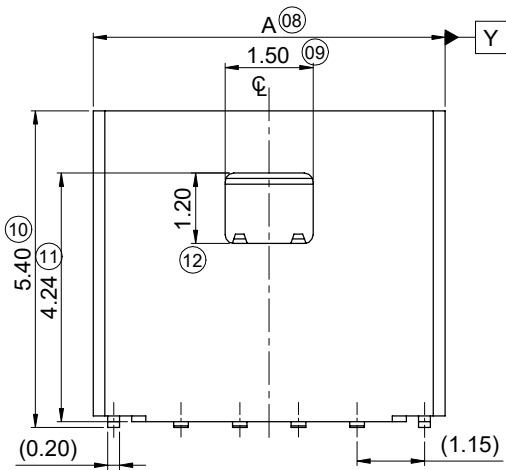


HRS-1004 W V S - XX A HF - XX XXX X X  
① ② ③ ④ ⑤ ⑥ ⑦ ⑧ ⑨ ⑩ ⑪

- ① Series No.
- ② Category: W-wafer
- ③ Connector Type: V- 180°
- ④ Mounting Type: S-SMT
- ⑤ Row No.-Pin No: XX-02-15Pin
- ⑥ Special code: A-Inner Lock
- ⑦ HF-Halogen Free
- ⑧ Plastic material: 4T- PA4T UL94V-0 LP- LCP UL94V-0
- ⑨ Plating Code:
  - SW1-Matte Tin plating 100u" Min. overall, Ni50-100u" under plating.
  - V01-G/F plating overall, Ni50-100u" under plating.
  - V04-Au4u" Min.plating on contact area, G/F plating on solder area, Ni50-100u" under plating.
  - V15-Au15u" Min.plating on contact area, G/F plating on solder area, Ni 50-100u" under plating.
  - V30-Au30u" Min.plating on contact area, G/F plating on solder area, Ni 50-100u" under plating.
  - GW04-Au 4u" Min.plating on contact area, Matte tin100u"-160u" plating on solder area, Ni 50-100u" under plating.
  - GW15-Au15u" Min.plating on contact area, Matte tin100u"-160u" plating on solder area, Ni 50-100u" under plating.
- ⑩ Housing Color: E-Becky N-Natural B-Black
- ⑪ Packing: C-Carrier tape (with CAP)  
R-Carrier tape/ESD (without CAP)  
C1-Carrier tape/ESD (with CAP)



PICK AND PLACE AREA WITH CAP



Poles	Dimensions (mm)		
	A	B	C
2	4.00	1.00	2.45
3	5.00	2.00	3.45
4	6.00	3.00	4.45
5	7.00	4.00	5.45

					GENERAL TOLERANCE				PART NO.						
					.X ±0.30				HRS-1004WVS-XXAHF-XXXXXXX						
					.XX ±0.20				TITLE						
					.XXX±0.10				1.00mm Crimp Style Connectors						
					X.° ±2°				APPROVAL CHECK DRAWN DATE						
2024.04.13	A5	/	Updated version	Aump chua	Larry Yang	APPROVAL	CHECK	DRAWN	DATE	UNIT SCALE SHEET REV NUMBER					
DATE	REV	ECN NO.	DESCRIPTION	MODIFY	APPROVAL	PROJECT	Jack Zhang	Larry Yang	Sunny Huang	2021/04/02	mm	1:1	1/3	A5	CD

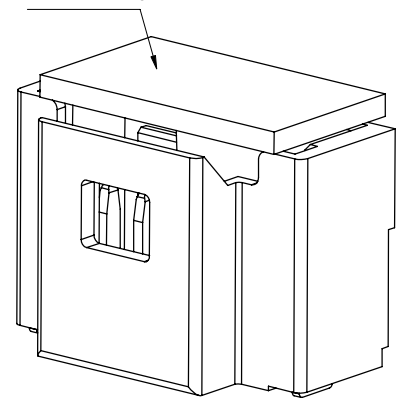
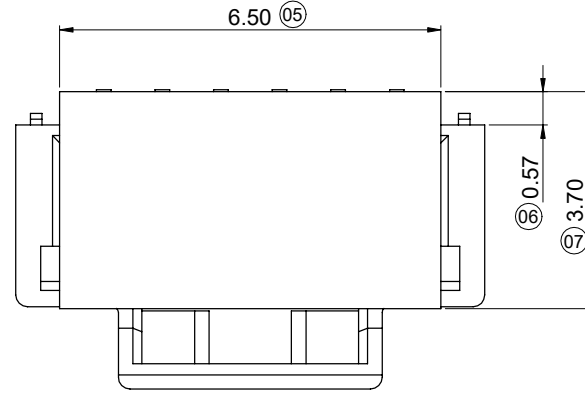
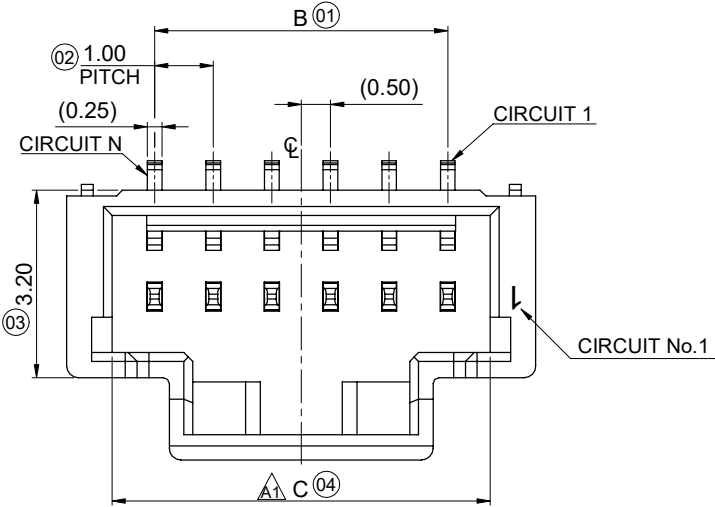
Horus Int. Electronics. Co., LTD.  
Horustech Electronics. Co., LTD.

APPROVAL: Jack Zhang  
CHECK: Larry Yang  
DRAWN: Sunny Huang  
DATE: 2021/04/02

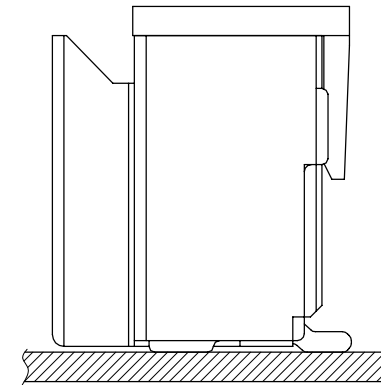
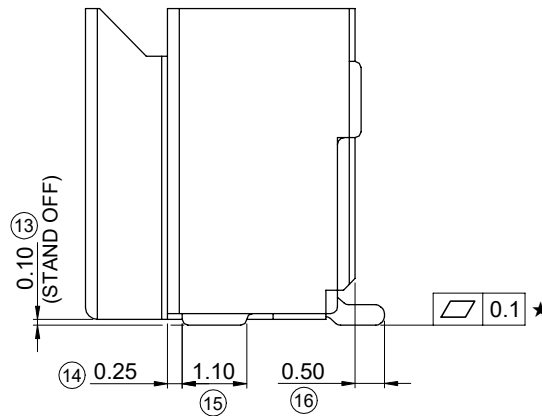
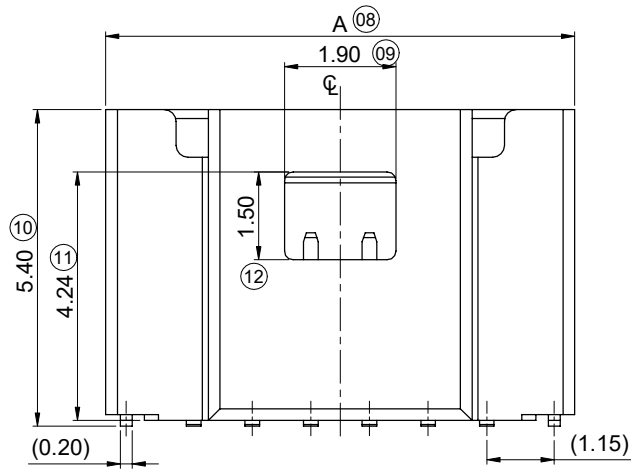
RoHS

This products can apply to the HRS Doc NO. QA-3-04-005 of Environmental&Material Management Rules

Cap color: See Specifications



PICK AND PLACE AREA WITH CAP

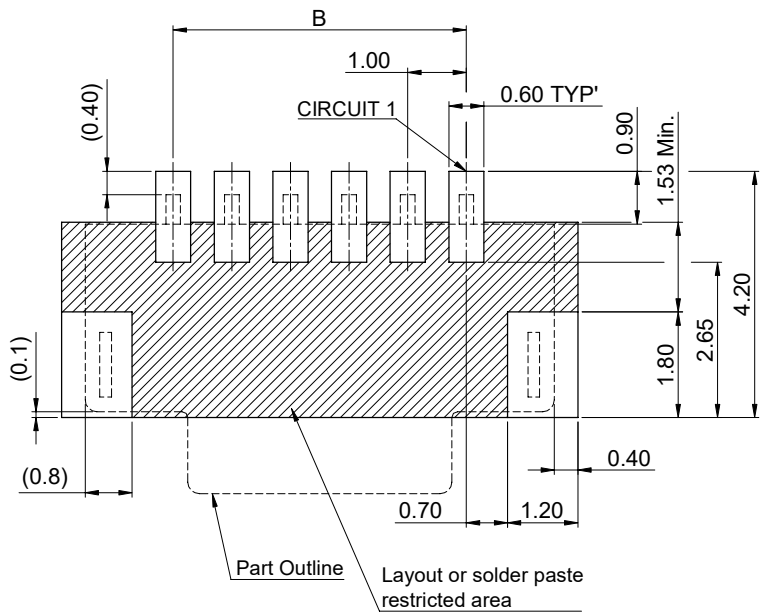


Poles	Dimensions (mm)		
	A	B	C
6	8.00	5.00	6.45
7	9.00	6.00	7.45
8	10.00	7.00	8.45
9	11.00	8.00	9.45
10	12.00	9.00	10.45
11	13.00	10.00	11.45
12	14.00	11.00	12.45
13	15.00	12.00	13.45
14	16.00	13.00	14.45
15	17.00	14.00	15.45

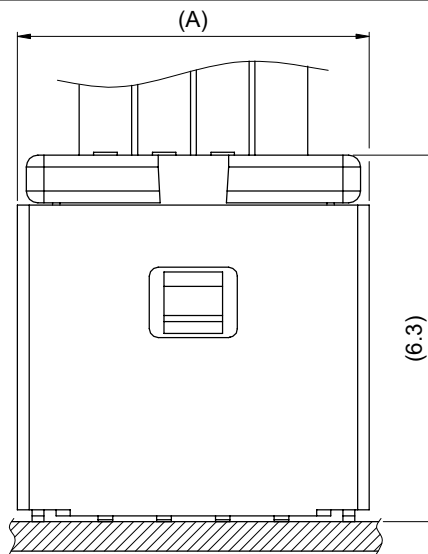
					GENERAL TOLERANCE .X ±0.30 .XX ±0.20 .XXX±0.10 X.° ±2°				Horustech Horus Int. Electronics. Co., LTD. Horustech Electronics. Co., LTD.				PART NO. HRS-1004WVS-XXAHF-XXXXXXX																																					
2024.04.13					A5					/					Updated version					Aump chua					Larry Yang					APPROVAL Jack Zhang				CHECK Larry Yang				DRAWN Sunny Huang				DATE 2021/04/02				TITLE 1.00mm Crimp Style Connectors				
DATE	REV	ECN NO.	DESCRIPTION	MODIFY	APPROVAL	PROJECT	APPROVAL	CHECK	DRAWN	DATE	UNIT	SCALE	SHEET	REV	NUMBER	mm	1:1	2/3	A5	CD																														

RoHS

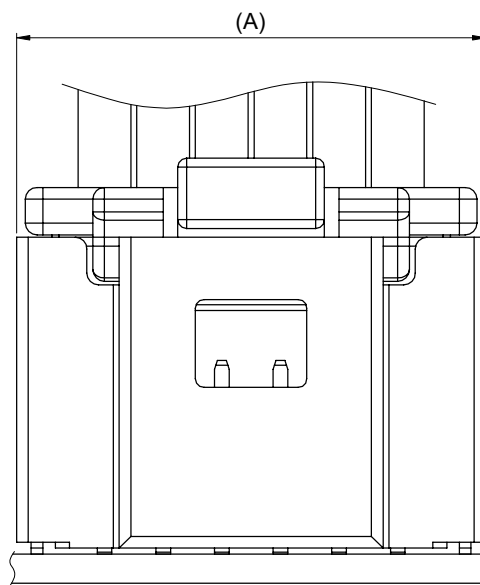
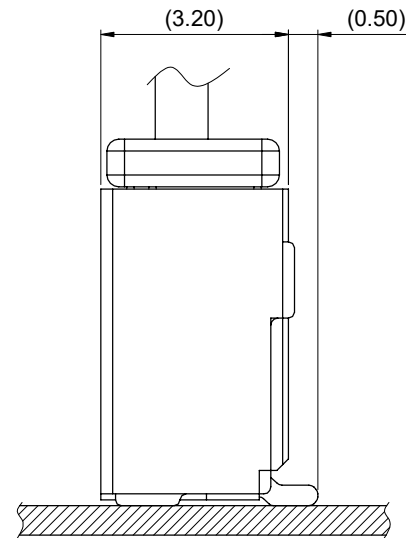
This products can apply to the HRS Doc NO. QA-3-04-005 of Environmental&Material Management Rules



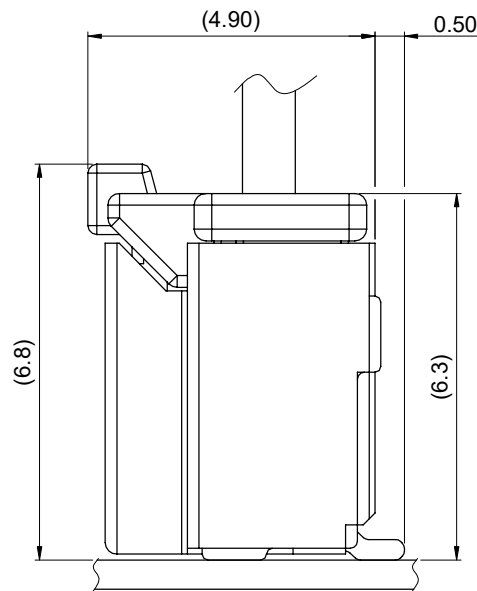
Recommended PCB Layout (General Tolerance:±0.05)



2-5 Poles



6-15 Poles



					<p>GENERAL TOLERANCE</p> <p>.X ±0.30</p> <p>.XX ±0.20</p> <p>.XXX±0.10</p> <p>X.° ±2°</p>				<p>Horus Int. Electronics. Co., LTD.</p> <p>Horustech Electronics. Co., LTD.</p>				<p>PART NO.</p> <p>HRS-1004WVS-XXAHF-XXXXXXX</p>								
					<p>PROJECT</p> <p>Jack Zhang</p>				<p>APPROVAL</p> <p>Larry Yang</p>				<p>DRAWN</p> <p>Sunny Huang</p>				<p>DATE</p> <p>2021/04/02</p>				
2024.04.13		A5		/		Updated version		Aump chua		Larry Yang											
DATE	REV	ECN NO.	DESCRIPTION	MODIFY	APPROVAL	PROJECT	APPROVAL	CHECK	DRAWN	DATE	UNIT	SCALE	SHEET	REV	NUMBER						
											mm	1:1	3/3	A5	CD						

A

A

RoHS

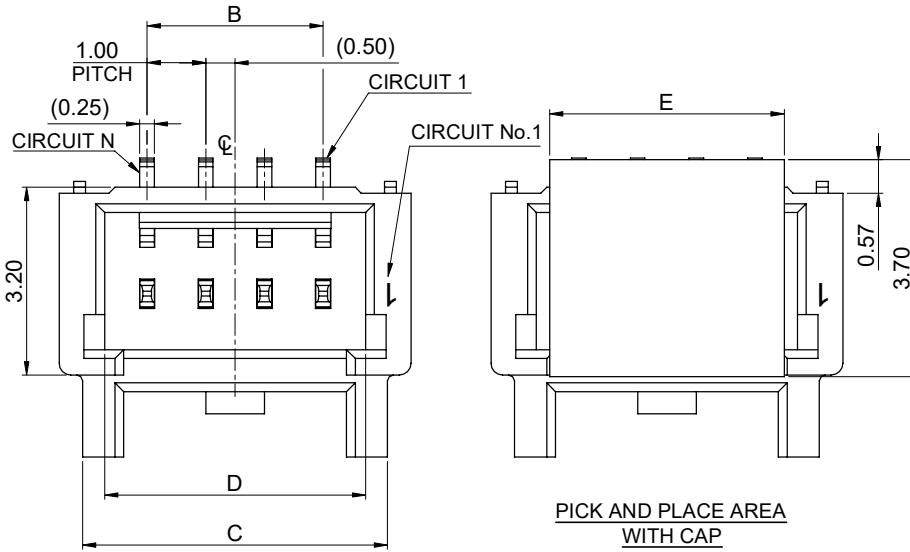
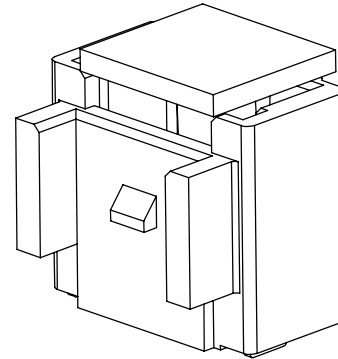
This products can apply to the HRS Doc NO. QA-3-04-005 of Environmental&Material Management Rules

Specifications :

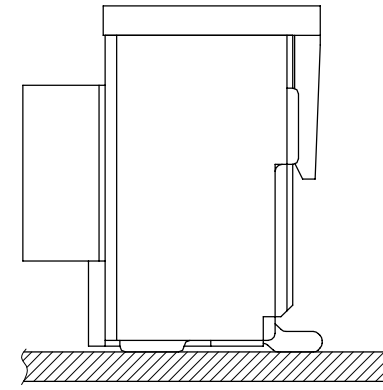
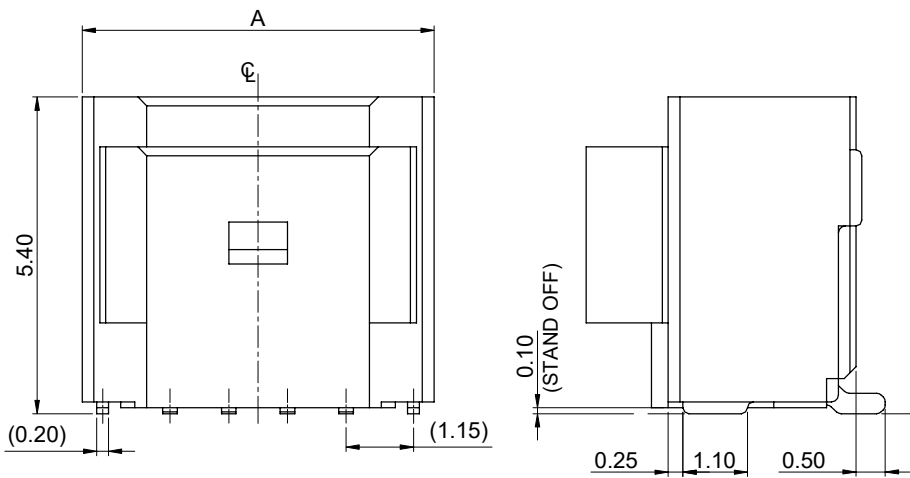
- Voltage rating: 100V AC / DC
- Current rating: 1A Max. AC / DC
- Withstanding voltage: 300V AC/minute
- Temperature range: -40°C~+105°C
- Insulation resistance: ≥100MΩ
- Contact resistance: ≤20mΩ
- After environmental testing: ≤40mΩ
- Material(Pin): Phosphor bronze
- Material(Nail) : Brass
- Mates With HRS Housing: HRS1004H
- Symbols for SPC dimensions: "★"

HRS-1004 W V S - XX B HF - 4T XXX E C  
 ① ② ③ ④ ⑤ ⑥ ⑦ ⑧ ⑨ ⑩ ⑪

- ① Series No.
- ② Category: W-wafer
- ③ Connector Type: V- 180°
- ④ Mounting Type: S-SMT
- ⑤ Row No.-Pin No: XX-02-15Pin
- ⑥ Special code: B-Outer Lock
- ⑦ HF-Halogen Free
- ⑧ Plastic material: 4T- PA4T UL94V-0
- ⑨ Plating Code:
  - SW1-Matte Tin plating 100u" Min. overall, Ni50u" Min. under plating.
  - V01-G/F plating overall, Ni50u" Min. under plating.
  - V04-Au4u" Min.plating on contact area, G/F plating on solder area, Ni50u" Min. under plating.
  - V15-Au15u" Min.plating on contact area, G/F plating on solder area, Ni50u" Min. under plating.
  - V30-Au30u" Min.plating on contact area, G/F plating on solder area, Ni50u" Min. under plating.
- ⑩ Color: E-Becky color
- ⑪ Packing: C-Carrier tape (with CAP)



PICK AND PLACE AREA WITH CAP

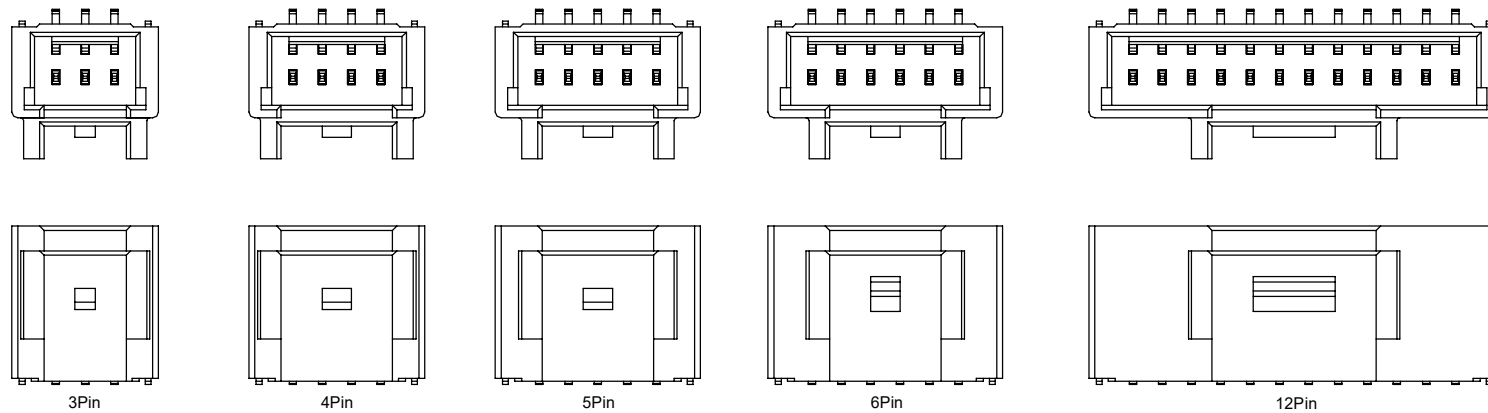


Poles	Dimensions (mm)					Poles	Dimensions (mm)				
	A	B	C	D	E		A	B	C	D	E
3	5.00	2.00	4.20	3.45	4.00	6	8.00	5.00	5.20	6.45	6.50
4	6.00	3.00	5.20	4.45	4.00	12	14.00	11.00	7.00	12.45	6.50
5	7.00	4.00	5.20	5.45	4.00						

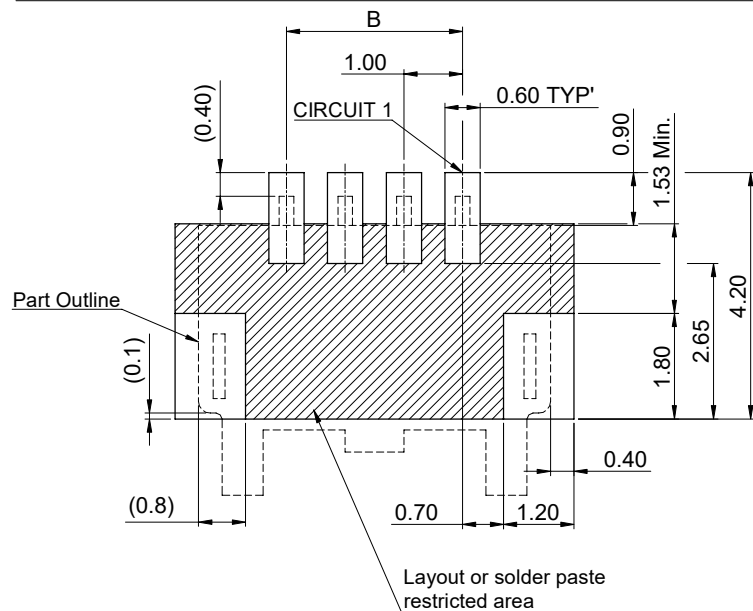
					GENERAL TOLERANCE				Horus Int. Electronics Co., LTD. Horustech Electronics Co., LTD.				PART NO.				
					.X ±0.35								HRS-1004WVS-XXBHF-4TXXXEC				
					.XX ±0.25				APPROVAL				TITLE				
					.XXX ±0.15				CHECK				1.00mm Crimp Style Connectors				
					X° ±2°				DRAWN				DATE				
2024/04/13					A2				/				Updated version				
Aump chua					Larry Yang				PROJECT				UNIT				
DATE					REV				ECN NO				DESCRIPTION				
MODIFY					APPROVAL				Jack Zhang				SCALE				
1					2				3				4				
5					6				7				8				
mm					1:1				1/2				A2				
CD																	

RoHS

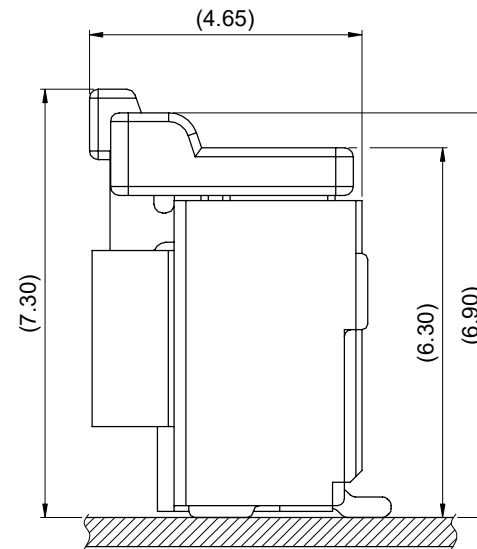
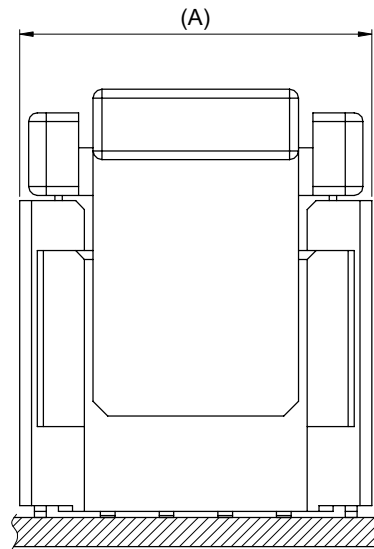
This products can apply to the HRS Doc NO. QA-3-04-005 of Environmental&Material Management Rules


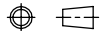


SCALE 1:2



Recommended PCB Layout (General Tolerance:±0.05)



					GENERAL TOLERANCE		 Horus Int. Electronics Co., LTD. Horustech Electronics Co., LTD.				PART NO. HRS-1004WVS-XXBHF-4TXXXEC				
					.X ±0.35						APPROVAL				TITLE 1.00mm Crimp Style Connectors
					.XX ±0.25		CHECK				DATE				
					.XXX ±0.15		DRAWN				REV				
					X° ±2°		DATE				NUMBER				
					PROJECT		Jack Zhang				mm				
							Larry Yang				1:1				
							BIN				2/2				
							2021/04/02				A2				
											CD				

2024/04/13	A2	/	Updated version	Aump chua	Larry Yang
DATE	REV	ECN NO	DESCRIPTION	MODIFY	APPROVAL

