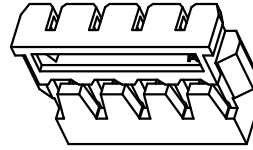


RoHS

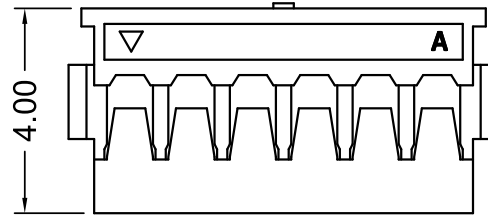
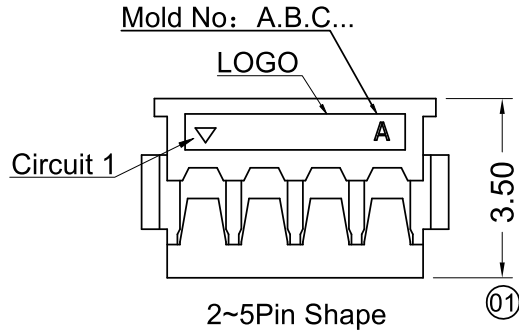
This products can apply to the HRS Doc NO. QA-3-04-005 of Environmental&Material Management Rules

■ Specifications :

- Voltage rating: 50V AC / DC
- Current rating: 2A AC / DC
- Withstanding voltage: 500V AC/minute
- Temperature range: -40°C~+105°C
- Insulation resistance: ≥100MΩ
- Contact resistance: ≤20mΩ
- After environmental testing: ≤40mΩ
- Mates With HRS Housing: HRS-1224T / HRS- 1224W

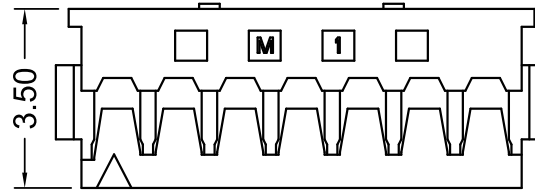
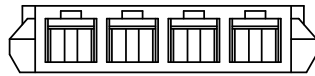


3D View

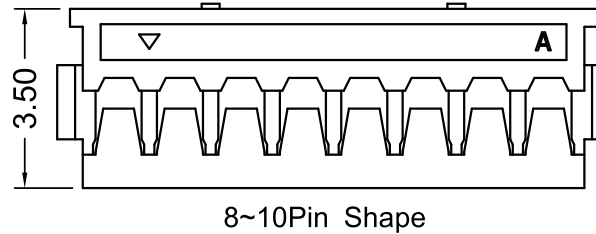
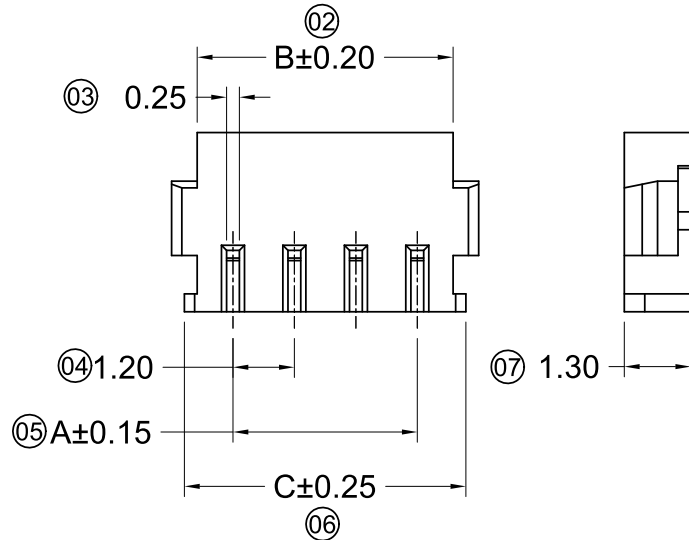


HRS-1224 H X- XX XX-LP XX
① ②③ ④ ⑤ ⑥ ⑦

- ① Series No.
- ② Category: H-HSG
- ③ Connector type: Blank-ordinary
- ④ Row No.-Pin No per row: XX-02~10P
- ⑤ Special No.
- ⑥ Material: LP-LCP 94V-0
- ⑦ Color: Blank-Natural Color Black



Poles	Dimensions(mm)		
	A	B	C
2	1.20	2.60	3.10
3	2.40	3.80	4.30
4	3.60	5.00	5.50
5	4.80	6.20	6.70
6	6.00	7.40	7.90
7	7.20	8.60	9.10
8	8.40	9.80	10.30
9	9.60	11.00	11.50
10	10.80	12.20	12.70



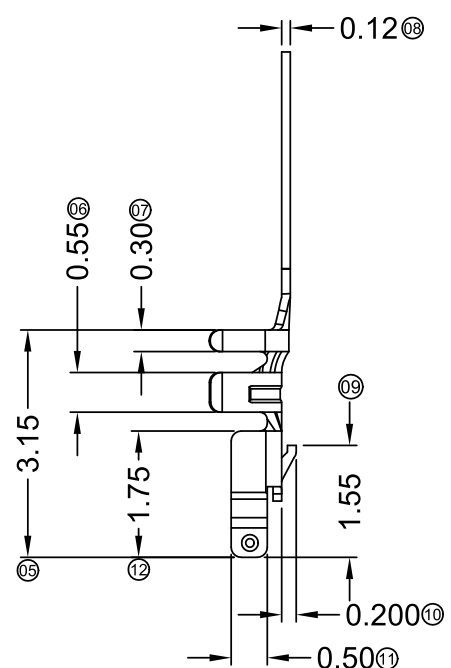
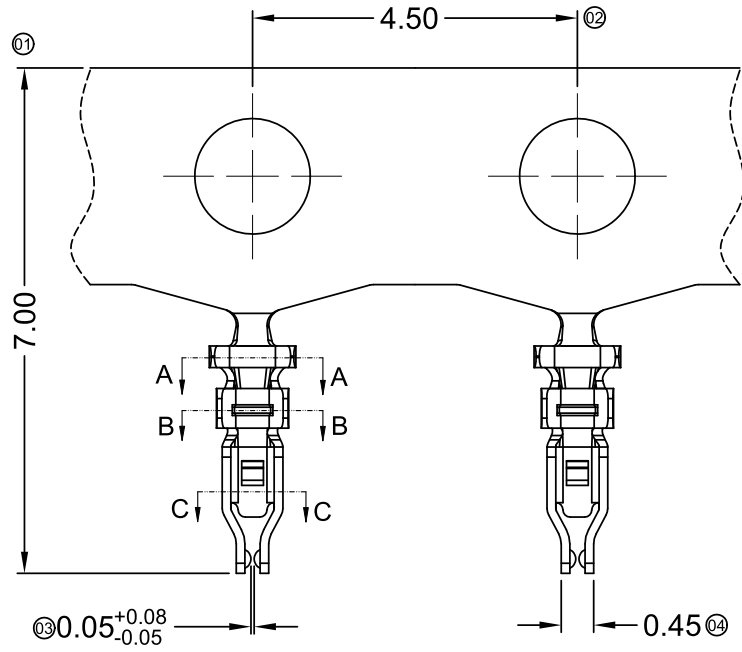
					<p>GENERAL TOLERANCE</p> <p>.X ±0.35</p> <p>.XX ±0.25</p> <p>.XXX ±0.15</p> <p>X.° ±2°</p>				<p>Horus Int. Electronics. Co., LTD.</p> <p>Horustech Electronics. Co., LTD.</p>				<p>PART NO.</p> <p>HRS-1224H-XX-LP</p>												
					<p>APPROVAL</p> <p>Robing</p>				<p>CHECK</p> <p>YYting</p>				<p>DRAWN</p> <p>Yu wei</p>				<p>DATE</p> <p>2018.04.14</p>				<p>TITLE</p> <p>1.20 mm Crimp Style Connectors</p>				
2020.3.06	F	EN20180414001	Update Drawing Frame, The Same ECR And ECN NO.	YYting	Robing									UNIT	SCALE	SHEET	REV	NUMBER							
DATE	REV	ECN NO.	DESCRIPTION	MODIFY	APPROVAL									mm	1:1	1/1	F	A-022							

RoHS

This products can apply to the HRS Doc NO. QA-3-04-005 of Environmental&Material Management Rules

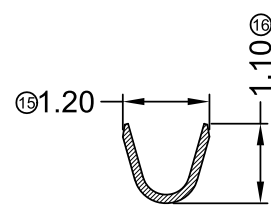
■ Specifications :

- Voltage rating: 50V AC / DC
- Current rating: 2A AC / DC
- Withstanding voltage: 500V AC/minute
- Temperature range: -40°C~+105°C
- Insulation resistance: ≥100MΩ
- Contact resistance: ≤20mΩ
- After environmental testing: ≤40mΩ
- Material(Pin): Phosphor bronze
- Mates With HRS Housing: HRS-1224H
- Wire Range: AWG#28-30
- Insulation O.D. : 0.70mm (Max.)

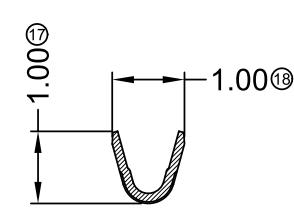


HRS-1224 T X - P V01 X
 ① ② ③ ④ ⑤ ⑥

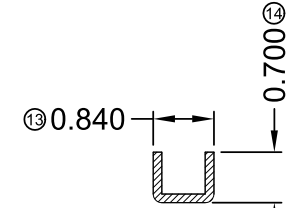
- ① Series Number
- ② Category: T-terminal
- ③ Shape: Blank-ordinary
- ④ Material: P-Phosphor bronze
- ⑤ Plating style: V01- All Gold Flash
- ⑥ Plating code:
Blank-Stamping before plating



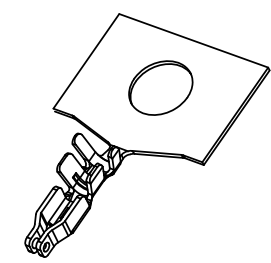
SECTION A-A
SCALE 1:1



SECTION B-B
SCALE 1:1



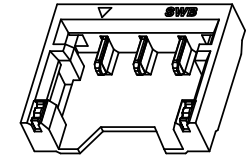
SECTION C-C
SCALE 1:1



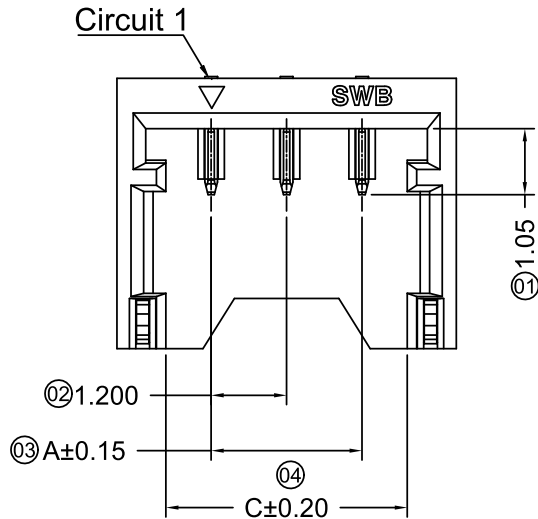
					GENERAL TOLERANCE .X ±0.30 .XX ±0.20 .XXX ±0.10 X.° ±2°				Horus Int. Electronics. Co., LTD. Horustech Electronics. Co., LTD.				PART NO. HRS-1224T-PV01																																																																		
2020.3.09					E				EN20190920003				Update Drawing Frame, The Same ECR And ECN NO.					YYting				Robing				APPROVAL					CHECK					DRAWN					DATE					TITLE					1.20mm Crimp Style Connectors																												
DATE					REV					ECN NO.					DESCRIPTION					MODIFY					APPROVAL					PROJECT					Robing					YYting					Luna					2012/12/21					UNIT					SCALE					SHEET					REV					NUMBER				
1					2					3					4					5					6					7					8					mm					1:1					1/1					E					A-014																			

RoHS

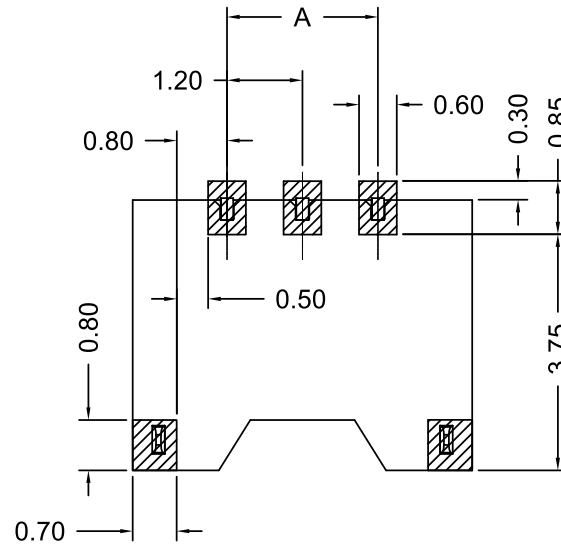
This products can apply to the HRS Doc NO. QA-3-04-005 of Environmental&Material Management Rules



3D View



2-3 Pin Without Sticking Point



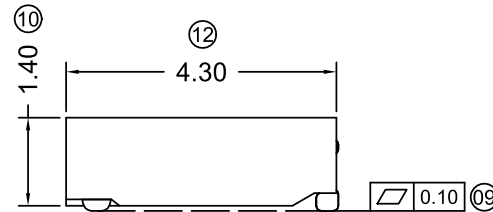
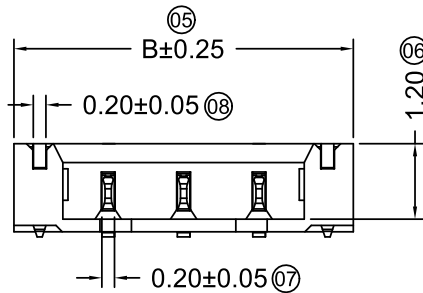
RECOMMENDED PCB LAYOUT
GENERAL TOLERANCE ±0.05

HRS-1224 W R S-XX X- XX V01 XX -X
① ② ③ ④ ⑤ ⑥ ⑦ ⑧ ⑨ ⑩

Specifications :

- Voltage rating: 50V AC / DC
- Current rating: 2A AC / DC
- Withstanding voltage: 500V AC/minute
- Temperature range: -40°C~+105°C
- Insulation resistance: ≥100MΩ
- Contact resistance: ≤20mΩ
- After environmental testing: ≤40mΩ
- Material(Solder Tabs):Phosphor Bronze
- Finish(Solder Tabs):Matte Tin Plating
- Mates With HRS Housing: HRS-1224H

- ① Series No.
- ② Category: W-wafer
- ③ Connector type: R-Right Angle 90°
- ④ Mounting type: S-SMT
- ⑤ Row No.-Pin No per row: XX-02P~03P
- ⑥ Special No:
- ⑦ Material: LP-LCP 94V-0 ; 4T-PA4T
- ⑧ Planting Code: V01: All Gold Flash
V03: All Gold 3μ"
- ⑨ Color: Blank- Black Color
- ⑩ Pin Material: Blank-Phosphor Bronze
H-High conductivity copper



Poles	Dimensions(mm)			Poles	Dimensions(mm)		
	A	B	C		A	B	C
02	1.20	4.20	2.64	03	2.40	5.40	3.84

						<p>GENERAL TOLERANCE</p> <p>.X ±0.30</p> <p>.XX ±0.20</p> <p>.XXX ±0.10</p> <p>X.° ±2°</p>				<p>APPROVAL</p> <p>Robing</p>				<p>PROJECT</p> <p>Robing</p>			
						<p>Horus Int. Electronics. Co., LTD.</p> <p>Horustech Electronics. Co., LTD.</p>				<p>PART NO.</p> <p>HRS-1224WRS-XX-XXVXX-X</p>							
						<p>APPROVAL</p> <p>YYting</p>				<p>CHECK</p> <p>YYting</p>							
						<p>DRAWN</p> <p>Oenh</p>				<p>DATE</p> <p>2018/12/05</p>							
						<p>TITLE</p> <p>1.20mm Crimp Style Connectors</p>				<p>UNIT</p> <p>mm</p>							
						<p>SCALE</p> <p>1:1</p>				<p>SHEET</p> <p>1/1</p>							
						<p>REV</p> <p>K</p>				<p>NUMBER</p> <p>A-000</p>							

F
E
D
C
B
A

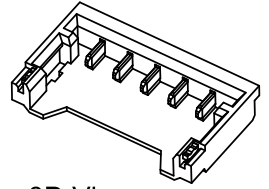
F
E
D
C
B
A

1 2 3 4 5 6 7 8

1 2 3 4 5 6 7 8

RoHS

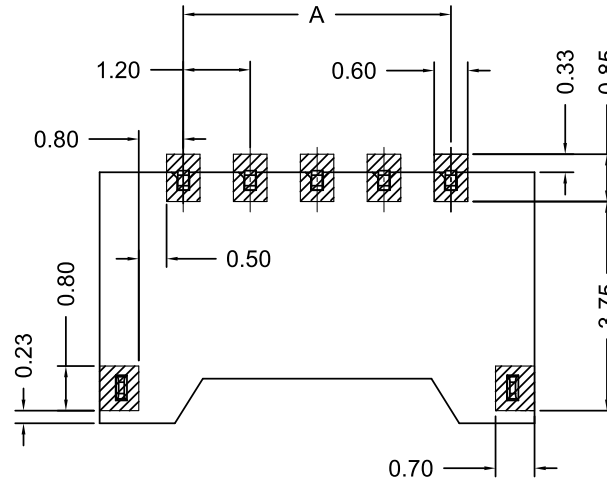
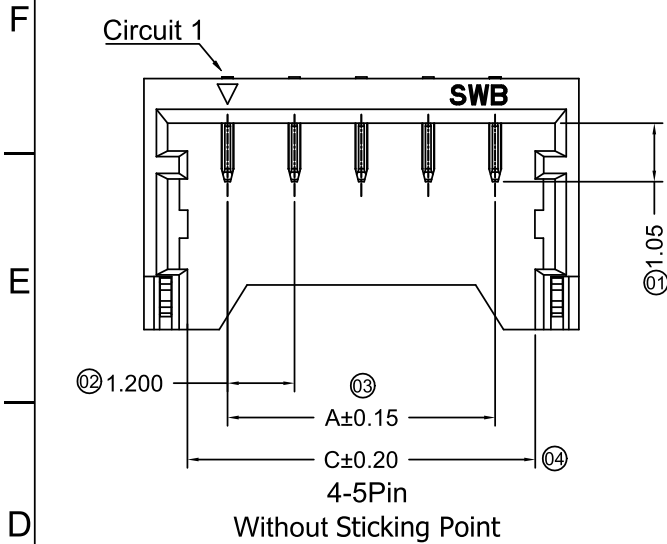
This products can apply to the HRS Doc NO. QA-3-04-005 of Environmental&Material Management Rules



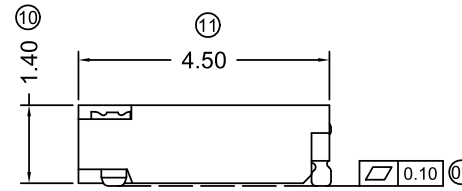
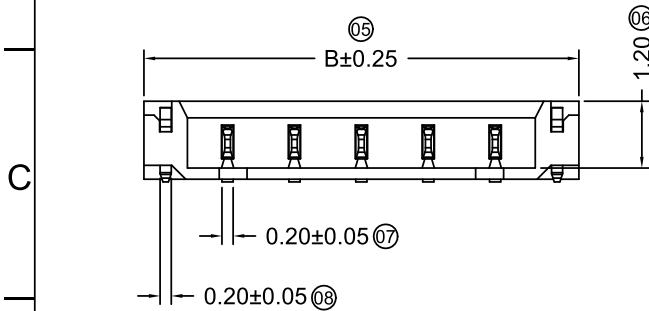
3D View

■ Specifications :

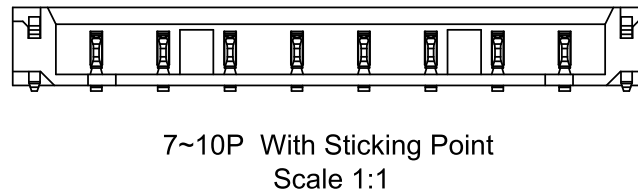
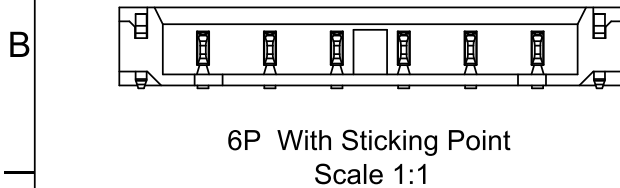
- Voltage rating: 50V AC / DC
- Current rating: 2A AC / DC
- Withstanding voltage: 500V AC/minute
- Temperature range: 40°C~+105°C
- Insulation resistance: ≥100MΩ
- Contact resistance: ≤20mΩ
- After environmental testing: ≤40mΩ
- Material(Solder Tabs): Phosphor Bronze
- Finish(Solder Tabs): Matte Tin Plating
- Mates With HRS Housing: HRS-1224H



HRS-1224 W R S - XX L - XX V01 XX - X
① ② ③ ④ ⑤ ⑥ ⑦ ⑧ ⑨ ⑩



- ① Series No.
- ② Category: W-wafer
- ③ Connector type: R-Right Angle 90°
- ④ Mounting type: S-SMT
- ⑤ Row No.-Pin No per row: XX-04P~10P
- ⑥ Special No.: L-36 Edition
- ⑦ Material: 4T-PA4T 94V-0; LP-LCP 94V-0
- ⑧ Planting Code: V01: All Gold Flash
V03: All Gold 3μ"
- ⑨ Color: Blank-Black Color
- ⑩ Pin Material :Blank-Phosphor Bronze
H-High conductivity copper



Poles	Dimensions(mm)			Poles	Dimensions(mm)		
	A	B	C		A	B	C
04	3.60	6.60	5.04	08	8.40	11.40	9.84
05	4.80	7.80	6.24	09	9.60	12.60	11.04
06	6.00	9.00	7.44	10	10.80	13.80	12.24
07	7.20	10.20	8.64				

						GENERAL TOLERANCE				APPROVAL				PART NO.				
						.X ±0.30				Horus Int. Electronics. Co., LTD. Horustech Electronics. Co., LTD.				HRS-1224WRS-XXL-XXV01XX-X				
						.XX ±0.20								TITLE 1.20mm Crimp Style Connectors				
						.XXX ±0.10												
2020.4.15	K	ER20190302001	Update Drawing Frame, The Same ECR And ECN NO.	YYting	Robing	X.° ±2°				Robing	YYting	Allen	2013/08/31	UNIT	SCALE	SHEET	REV	NUMBER
DATE	REV	ECN NO.	DESCRIPTION	MODIFY	APPROVAL	PROJECT				Robing	YYting	Allen	2013/08/31	mm	1:1	1/1	K	A-000