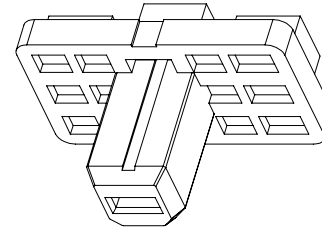
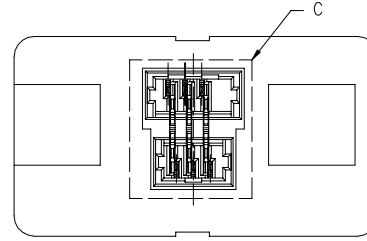
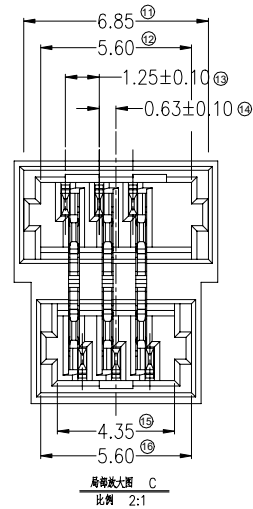
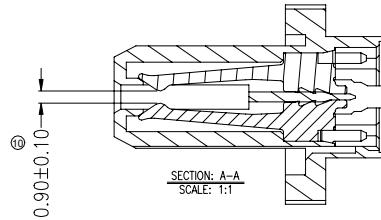
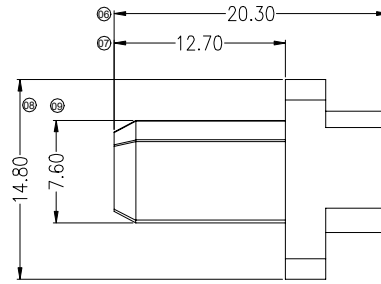
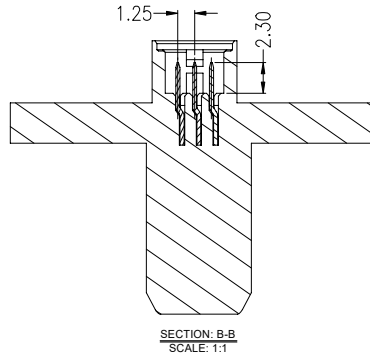
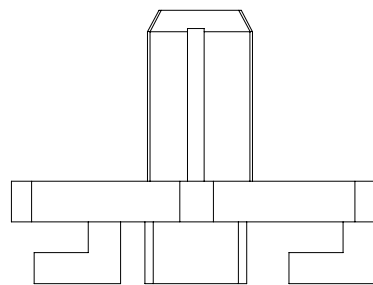
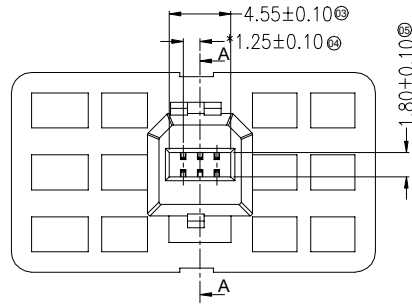
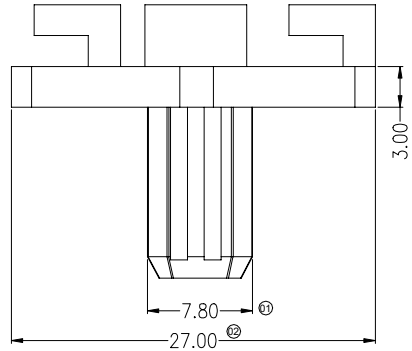


RoHS

This products can apply to the HRS Doc NO. QA-3-04-005 of Environmental&Material Management Rules



- Specifications :
- Voltage rating: 125V AC / DC
  - Current rating: 1.0A AC / DC
  - Withstanding voltage: 500V AC/minute
  - Temperature range: -25°C~+85°C
  - Insulation resistance: >100MΩ
  - Contact resistance: <20mΩ
  - After environmental testing: <40mΩ
  - Material(Pin): Phosphor bronze
  - Mates With HRS Wafer: HRS - B0125V

HRS-0125 W V A - 2 x03 - N0 B P 37 B R 001 F  
 ① ②③④ ⑤ ⑥ ⑦ ⑧ ⑨ ⑩⑪ ⑫ ⑬

- ① Series No.
- ② Category: W-wafer
- ③ Connector type: V-Straight 180°
- ④ Mounting type: A-Male Housing
- ⑤ Row No.-Pin No per row: 2x03-Single Row 2x03Pin
- ⑥ Plastic material: N0- PA66 94V-0;
- ⑦ Color: B-Black;
- ⑧ Metal material: P-Phosphor bronze
- ⑨ Plating Code: 37- nickel base at all area Min 50 u ", bright tin Min 100u ",gold-plated at contact region Min 3u".
- ⑩ Packag: B-bags
- ⑪ Green code: R-RoHS
- ⑫ Water code: 001
- ⑬ Special code:  
F----Other Connectors

					GENERAL TOLERANCE				<b>Horus Int. Electronics. Co., LTD.</b> <b>Horustech Electronics. Co., LTD.</b>				PART NO.				
					.X ±0.30								HRS-0125MVA-2x03-N0BP37BR001F				
					.XX ±0.20				APPROVAL				TITLE				
					.XXX±0.10				CHECK				1.25mm Crimp Style Connectors				
2023/08/08					B				DRAWN				DATE				
Update Drawing Frame					LXZ				DATE				UNIT				
LARRY YANG					LARRY YANG				DATE				SCALE				
DATE					REV				DATE				SHEET				
ECN NO.					DESCRIPTION				DATE				REV				
MODIFY					APPROVAL				DATE				NUMBER				
PROJECT					PROJECT				DATE				NUMBER				
Smark					Joshua				Alan qin				2019/03/16				
mm					1:1				1/1				B				
A-014																	