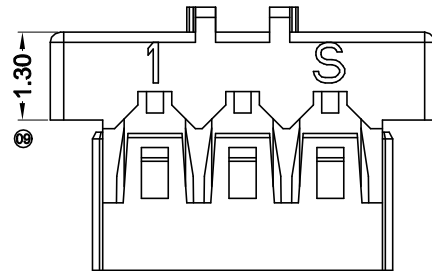
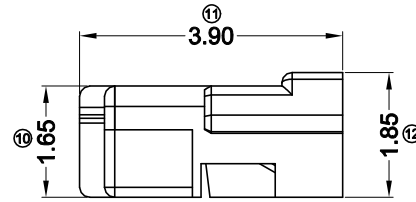
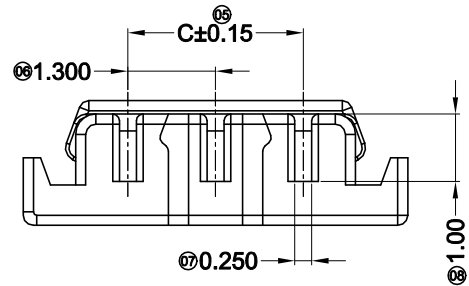
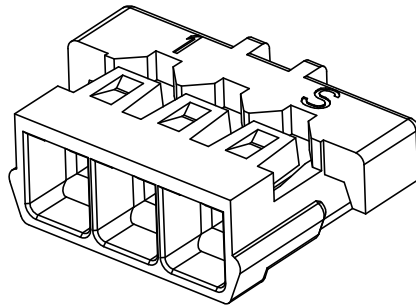
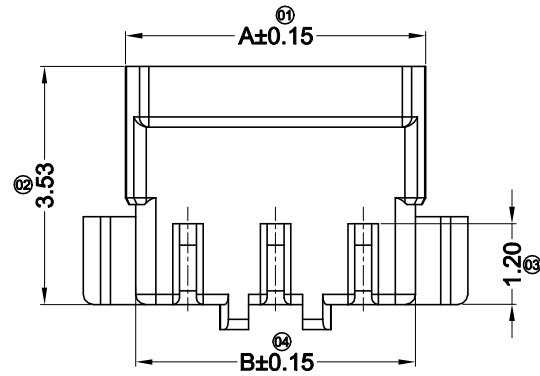
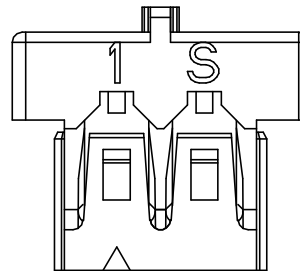


RoHS

This products can apply to the HRS Doc NO. QA-3-04-005 of Environmental&Material Management Rules



3~12Pin Shape



2Pin Shape

Specifications :

- Voltage rating: 30V AC / DC
- Current rating: 3.0A AC / DC
- Withstanding voltage: 500V AC/minute
- Temperature range: -40°C~+105°C
- Insulation resistance: ≥100MΩ
- Contact resistance: ≤20mΩ
- After environmental testing: ≤40mΩ
- Suitable HRS Terminal: HRS-1300T
- Suitable HRS Wafer: HRS-1300WRS

HRS-1300 H X-1xXX- NL N B H 01 F

① ②③ ④ ⑤ ⑥⑦⑧ ⑨ ⑩

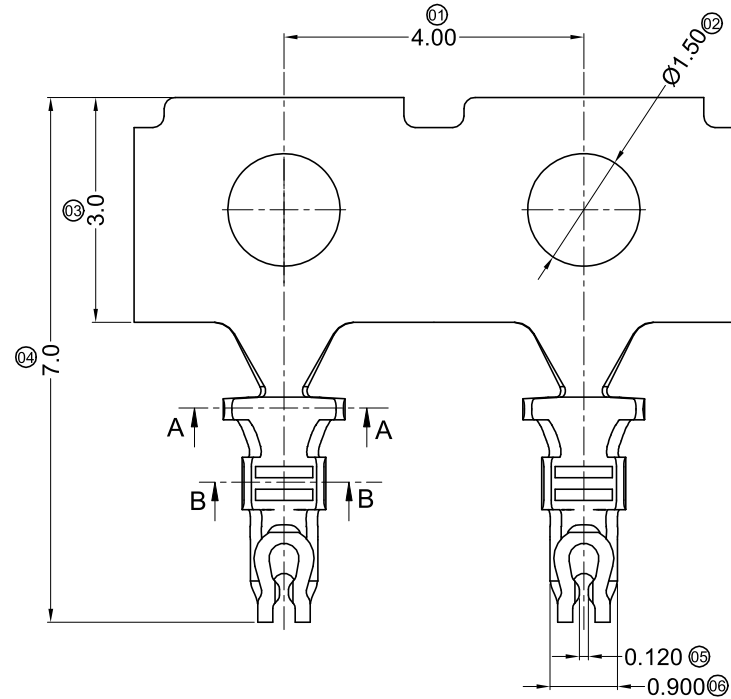
- ① Series No.
- ② Category: H-Housing
- ③ Welding Board Angle: Blank-ordinary
- ④ Row No.-Pin No.: 1xXX-1x02~1x12P
- ⑤ Material: NL-PA66 94V-0
- ⑥ Color: N-natural color B-Black
- ⑦ Packag: B-Bag
- ⑧ Green code: H-Halogen Free
- ⑨ Water code:01
- ⑩ F-Other Connectors

Poles	Dimensions(mm)		
	A	B	C
1x02	3.15	2.85	1.30
1x03	4.45	4.15	2.60
1x04	5.75	5.45	3.90
1x05	7.05	6.75	5.20
1x06	8.35	8.05	6.50
1x07	9.65	9.35	7.80
1x08	10.95	10.65	9.10
1x09	12.25	11.95	10.40
1x10	13.55	13.25	11.70
1x11	14.85	14.55	13.00
1x12	16.15	15.85	14.30

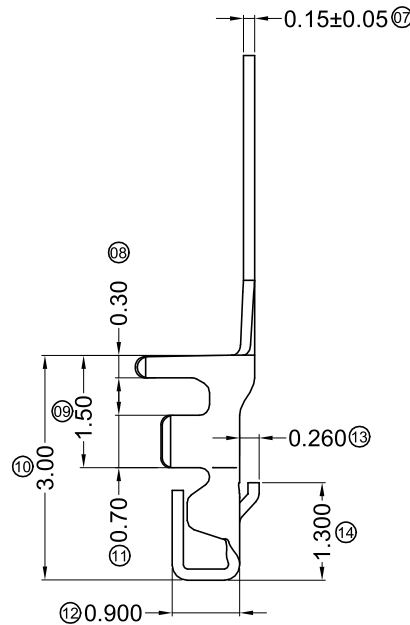
2020/06/01	E		Update Drawing Frame & temperature	Roy.Hu	Robing	Horus Int. Electronics. Co., LTD. Forustech Electronics. Co., LTD.				PART NO. HRS-1300H-1xXX-NLXBH01F				
2019/07/04	D	ER20190704001	Optimize product, and change the material to PA66, then update the drawing.	Hai Li	Robing	APPROVAL Robing				TITLE 1.30 mm Crimp Style Connectors				
2019/06/17	C	ER20190617001	The drawing was updated since LCP product was added.	Hai Li	Robing	CHECK Hai Li				UNIT mm				
						DRAWN Jason				SCALE 1:1				
						DATE 2018/09/027				SHEET 1/1				
						PROJECT 				REV E				
						NUMBER A-022								

RoHS

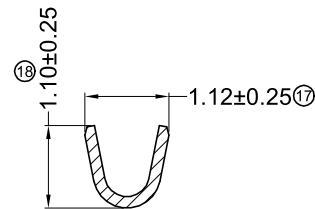
This products can apply to the HRS Doc NO. QA-3-04-005 of Environmental&Material Management Rules



SECTION A-A
SCALE 1:1



SECTION B-B
SCALE 1:1

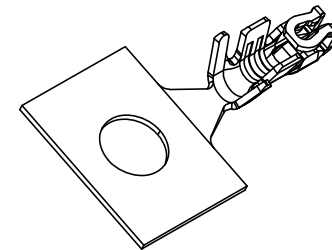


■ Specifications :

- Voltage rating: 30V AC / DC
- Current rating: 3.0A AC / DC
- Withstanding voltage: 500V AC/minute
- Temperature range: -40°C~+105°C
- Insulation resistance: ≥100MΩ
- Contact resistance: ≤20mΩ
- After environmental testing: ≤30mΩ
- Wire Range: AWG#26~28
- Insulation O.D: 0.98mm (Max)
- Used In HRS Housing: HRS-1300H

HRS - 1300 T X X-H 10 S X-01 F
① ② ③ ④ ⑤ ⑥ ⑦ ⑧ ⑨ ⑩

- ① Series Number
- ② Category: T-terminal
- ③ Shape: Blank-ordinary
- ④ Appearance encoding: Blank-Ordinary
- ⑤ Material: H-High conductivity copper
- ⑥ Plating style: 10- Whole Gold : Gold Flash
- ⑦ Plating method : S-Stamping before plating
- ⑧ Special No: Blank-Normal Leads
- ⑨ Water code: 01
- ⑩ F-Other Connectors



					GENERAL TOLERANCE				PART NO. HRS-1300T-H10S-01F			
					.X ±0.35				Horus Int. Electronics. Co., LTD. HorusTech Electronics. Co., LTD.			
					.XX ±0.25							
2020/06/02 C Update Drawing Frame& temperature Roy.Hu Robing					.XXX ±0.15				TITLE 1.30 mm Crimp Style Connectors			
2018/12/13 B EN20181213001 按客户要求修改PIN针材质为高导电 Joshua Smark					X.° ±2°				APPROVAL CHECK DRAWN DATE			
DATE REV ECN NO DESCRIPTION MODIFY APPROVAL					PROJECT				UNIT SCALE SHEET REV NUMBER			
					Smarm Joshua Jason 2018/09/27				mm 1:1 1/1 C A-295			

RoHS

This products can apply to the HRS Doc NO. QA-3-04-005 of Environmental&Material Management Rules

■ Specifications :

- Voltage rating: 30V AC / DC
- Current rating: 3.0A AC / DC
- Withstanding voltage: 500V AC/minute
- Temperature range: -25°C~+85°C
- Insulation resistance:≥100MΩ
- Contact resistance: ≤20mΩ
- After environmental testing: ≤40mΩ
- Mates With HRS Housing: HRS-1300H

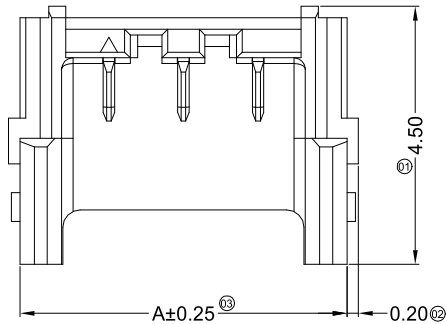
HRS-1300 W R S-1xXX-4T X H 10 R H 001 F

① ② ③ ④ ⑤ ⑥ ⑦ ⑧ ⑨ ⑩ ⑪ ⑫ ⑬

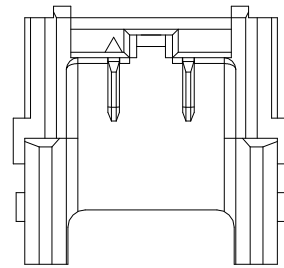
- ① Series No.
- ② Category: W-wafer
- ③ Welding Board Angle: R- 90°
- ④ Welding Way: S-SMT
- ⑤ Row No.-Pin No.: 1xXX-1x02~1x12P
- ⑥ Plastic material: 4T-PA4T 94V-0 ;
- ⑦ Color: B-Black; N-Natural
- ⑧ Metal material:H-High conductivity copper
- ⑨ Planting Category: 10-All Gold Flash
- ⑩ Packag: R-Reel
- ⑪ Green code: H-Halogen-Free
- ⑫ Water code:001-Normal PIN number
002-3Pin, missing 1PIN.number
- ⑬ F-Other Connectors

备注说明

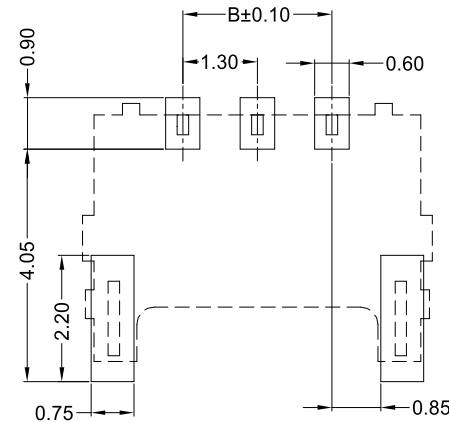
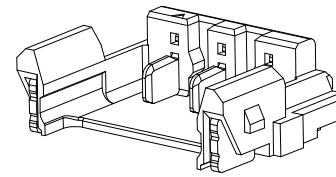
HRS-1300WRS-1xXX-4TXH10RH001F	正常PIN 料号
HRS-1300WRS-1x03-4TXH10RH002F	3Pin中间缺1PIN 料号



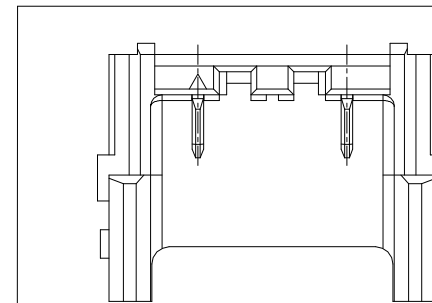
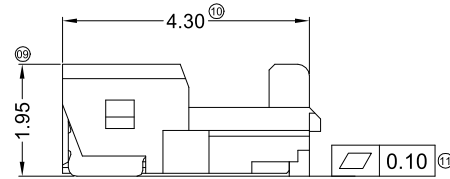
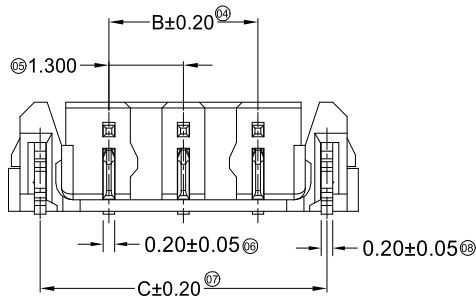
3~12Pin Shape



2Pin Shape



Recommended P.C.B Layout
General Tolerance±0.05



3Pin中间缺1PIN 视图

料号为: HRS-1300WRS-1x03-4TXH10RH002F

Poles	Dimensions (mm)		
	A	B	C
1x02	4.40	1.30	3.70
1x03	5.70	2.60	5.00
1x04	7.00	3.90	6.30
1x05	8.30	5.20	7.60
1x06	9.60	6.50	8.90
1x07	10.90	7.80	10.20
1x08	12.20	9.10	11.50
1x09	13.50	10.40	12.80
1x10	14.80	11.70	14.10
1x11	16.10	13.00	15.40
1x12	17.40	14.30	16.70

2020/07/23	D		Update Drawing Frame	Xue	Robing
2019/07/18	c	ER20190718004	Optimize product, update drawing.	HAILI.WANG	ROBING
2018/12/13	B	EN20181213001	Optimize product, change the pin material to high conductivity copper	Joshua	Smarm
DATE	REV	ECN NO	DESCRIPTION	MODIFY	APPROVAL

GENERAL TOLERANCE
.X ±0.30
.XX ±0.20
.XXX ±0.10
X° ±2°
PROJECT

Horus Int. Electronics Co., LTD. Horustech Electronics Co., LTD.			
APPROVAL	CHECK	DRAWN	DATE
		Jason	2018/09/27

PART NO.				
HRS-1300WRS-1xXX-4TXH10RH00XF				
TITLE				
1.30 mm Crimp Style Connectors				
UNIT	SCALE	SHEET	REV	NUMBER
mm	1:1	1/1	A	A-000