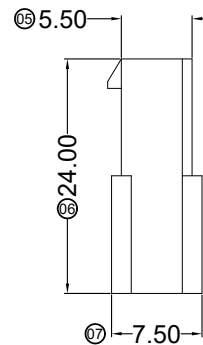
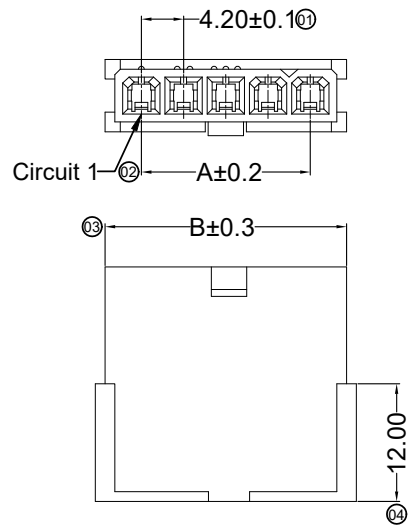
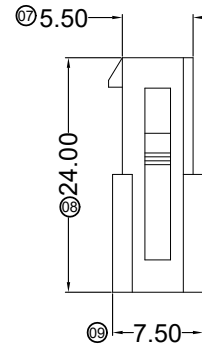
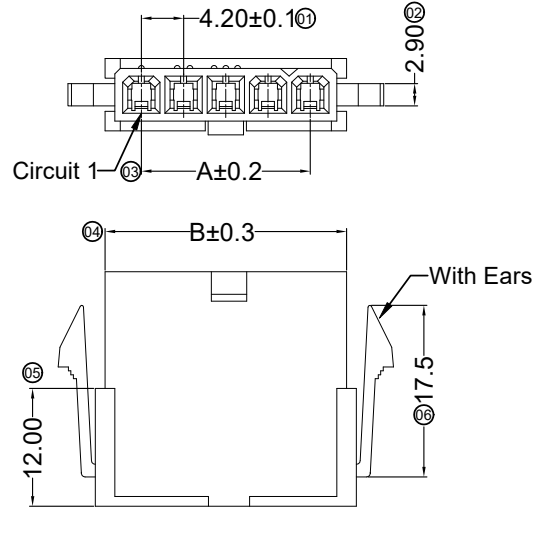


RoHS

This products can apply to the HRS Doc NO. QA-3-04-005 of Environmental&Material Management Rules

■ Specifications :

- Voltage rating: 600V AC / DC
- Current rating: 9A AC / DC
- Withstanding voltage: 1500V AC/minute
- Temperature range: -25°C~+85°C
- Insulation resistance: ≥1000MΩ
- Contact resistance: ≤10mΩ
- After environmental testing: ≤20mΩ



HRS-9357 H F-XX X-XX XX

① ② ③ ④ ⑤ ⑥ ⑦

- ① Series No.
- ② Category: H-HSG
- ③ Welding Board Angle: F-Female
- ④ Row No.-Pin No.: XX-02P~12P
- ⑤ Plug the Pin & special No.:
I-Without the Wing; G-With the Wing
- ⑥ Material: N0-PA66 94V-0; N2-PA66 94V-2
- ⑦ Color : Blank-Natural Color

Poles	Dimensions(mm)		Poles	Dimensions(mm)	
	A	B		A	B
02	4.20	9.80	08	29.40	35.00
03	8.40	14.00	09	33.60	39.20
04	12.60	18.20	10	37.80	43.40
05	16.80	22.40	11	42.00	47.60
06	21.00	26.60	12	46.20	51.80
07	25.20	30.80			

HRS-9357HF-XXG-N2	Nylon 66 94V-2	HRS-9357TM	HRS-9357W Or HRS-9357H	With Ears
HRS-9357HF-XXI-N2	Nylon 66 94V-2			Without Ears
HRS-9357HF-XXG-N0	Nylon 66 94V-0			With Ears
HRS-9357HF-XXI-N0	Nylon 66 94V-0			Without Ears
PART NO	Material	Suitable HRS Terminal	Mates With HRS Wafer Or Housing	Note

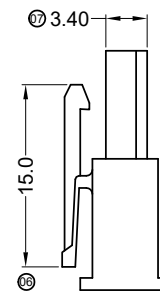
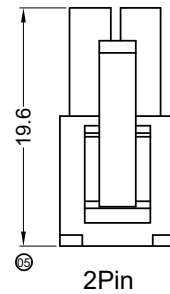
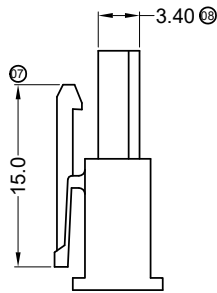
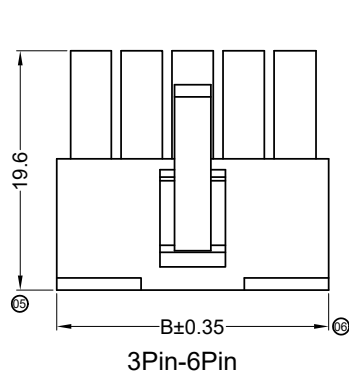
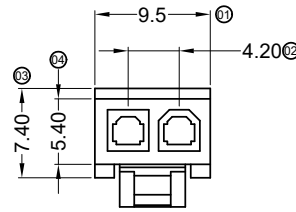
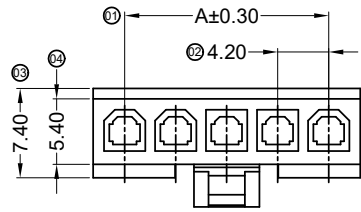
DATE	REV	ECN NO	DESCRIPTION	MODIFY	APPROVAL	PROJECT	APPROVAL	CHECK	DRAWN	DATE	UNIT	SCALE	SHEET	REV	NUMBER					
2015.05.04	D		Modify the drawing frame format	Feng Ping	Bob Sun		Smark	Guo	yan.Liu	2007/05/03	mm	1:1	1/1	D	A-043					
2014/08/29	C		Modify the drawing frame format	sylvia																
<p>GENERAL TOLERANCE</p> <p>.X ±0.30</p> <p>.XX ±0.20</p> <p>.XXX ±0.10</p> <p>X.° ±2°</p>																				
<p>Horus Int. Electronics. Co., LTD. Horus Int. Electronics. Co., LTD.</p>											<p>PART NO. HRS-9357HF-XXX-XX</p> <p>TITLE 4.20 mm Crimp Style Connectors</p>									

RoHS

This products can apply to the HRS Doc NO. QA-3-04-005 of Environmental&Material Management Rules

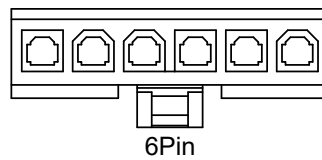
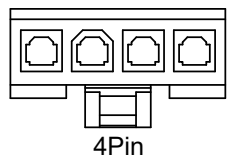
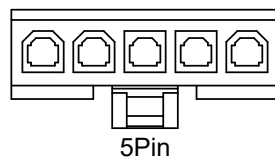
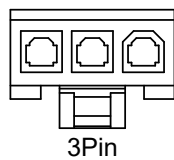
■ Specifications :

- Voltage rating: 600V AC / DC
- Current rating: 9A AC / DC
- Withstanding voltage: 1500V AC/minute
- Temperature range: -25°C~+85°C
- Insulation resistance:≥1000MΩ
- Contact resistance: ≤10mΩ
- After environmental testing: ≤20mΩ
- Suitable HRS Terminal:HRS-9357TF0/TF
- Mates With HRS Wafer Or Housing:
HRS-9357W Or HRS-9357HF



HRS-9357 H M-XX XX-XX XX
① ② ③ ④ ⑤ ⑥ ⑦

- ① Series No.
- ② Category: H-HSG
- ③ Welding Board Angle: M-Male housing
- ④ Row No.-Pin No.: XX-02P~06P
- ⑤ Plug the Pin & special No.:
- ⑥ Material: N0-PA66 94V-0; N2-PA66 94V-2
- ⑦ Color : Blank-Natural Color BK-Black Color

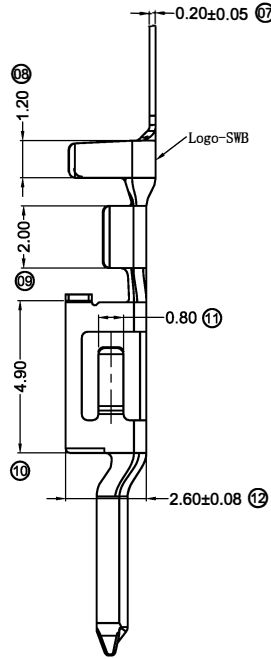
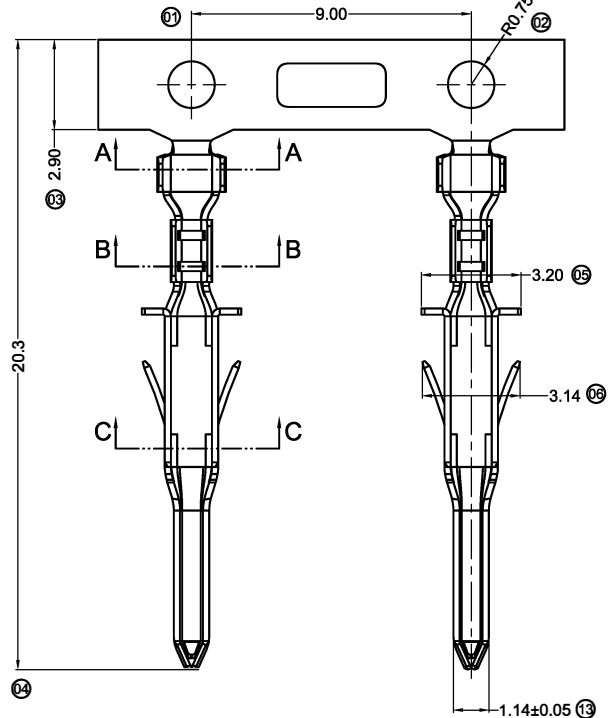


Poles	Dimensions(mm)	
	A	B
02	4.20	9.50
03	8.40	13.70
04	12.60	17.90
05	16.80	22.20
06	21.00	26.30

					GENERAL TOLERANCE .X ±0.30 .XX ±0.20 .XXX ±0.10 X.° ±2°		Horus Int. Electronics Co., LTD. Horustech Electronics Co., LTD.				PART NO. HRS-9357HM-XX-XX				
					PROJECT 		APPROVAL CHECK DRAWN DATE Smark Guo sylvia 2014/09/23				TITLE 4.20 mm Crimp Style Connectors				
2015.05.04	B		Modify the drawing frame format	Feng Ping	Bob Sun										
DATE	REV	ECN NO.	DESCRIPTION	MODIFY	APPROVAL										
UNIT		SCALE	SHEET	REV	NUMBER										
MM		1:1	1/1	A-043	B										

RoHS

This products can apply to the HRS Doc NO. QA-3-04-005 of Environmental&Material Management Rules

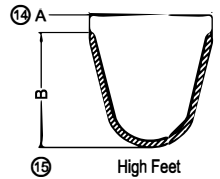


■ Specifications :

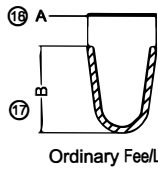
- Voltage rating: 600V AC / DC
- Current rating: 9A Max AC / DC
- Withstanding voltage: 1500V AC/minute
- Temperature range: -25°C~+85°C
- Insulation resistance: ≥1000MΩ
- Contact resistance: ≤10mΩ
- After environmental testing: ≤20mΩ

HRS-9357 T M-X SN X-X

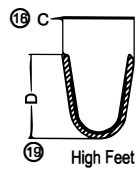
- ① ② ③ ④ ⑤ ⑥ ⑦
- ① Series No.
 - ② Category: T-Terminal
 - ③ Connector type: M-Male Terminal
 - ④ Material: B-Brass; P-Phosphor Bronze
 - ⑤ Plating code: SN-Bright Tin Plating
 - ⑥ Plating Method :
Blank-Stamping before Plating
 - ⑦ Special N0: Blank-Ordinary Feet
L-Low Feet ; H-High Feet;



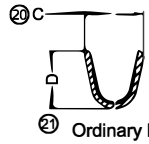
SECTION: A-A
SCALE: 1:1



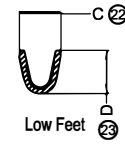
SECTION: A-A
SCALE: 1:1



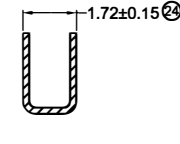
SECTION: B-B
SCALE: 1:1



SECTION: B-B
SCALE: 1:1



SECTION: B-B
SCALE: 1:1



SECTION: C-C
SCALE: 1:1

HRS-9357TM-XXX-H	AWG#16~18 (0.8~1.00mm ²)	2.1mm(Max)	3.95	3.70	2.30	2.70	HRS-9357HF
HRS-9357TM-XXX	AWG#20~22 (0.5~0.35mm ²)	1.50mm(Max)	2.20	2.80	1.90	1.85	
HRS-9357TM-XXX-L	AWG#24~26 (0.22~0.13mm ²)	1.30mm(Max)	2.20	2.80	1.34	1.40	

料号	线芯 O.D	绝缘 O.D	DIM a	DIM b	DIM c	DIM d	Used In HRS Housing
----	--------	--------	-------	-------	-------	-------	---------------------

DATE	REV	ECN NO	DESCRIPTION	MODIFY	APPROVAL
------	-----	--------	-------------	--------	----------

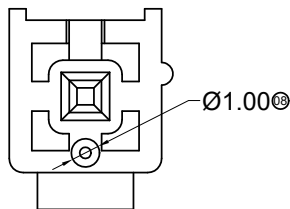
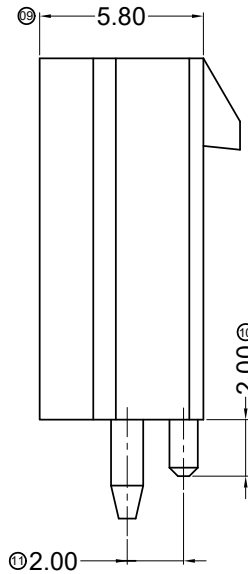
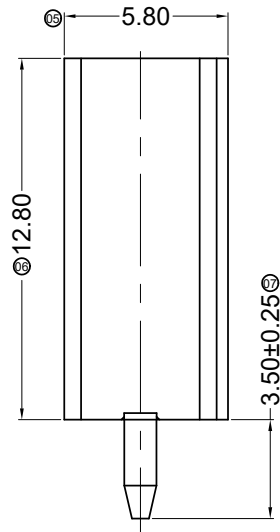
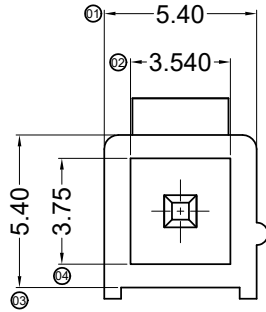
GENERAL TOLERANCE	.X ±0.30
	.XX ±0.20
	.XXX ±0.10
	X.° ±2°
PROJECT	Larry

Horus Int. Electronics Co., LTD.		Horus Int. Electronics Co., LTD.	
APPROVAL	CHECK	DRAWN	DATE
Larry	/	Zeng	2021/12/21

PART NO. HRS-9357TM-XSN-X				
TITLE 4.20 mm Crimp Style Connectors				
UNIT	SCALE	SHEET	REV	NUMBER
mm	1:1	1/1	A0	A-000

RoHS

This products can apply to the HRS Doc NO. QA-3-04-005 of Environmental&Material Management Rules



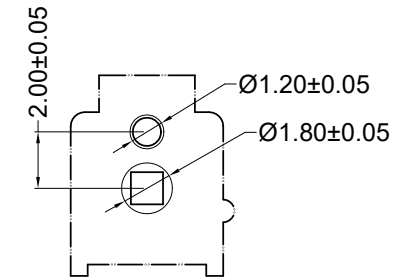
■ Specifications :

- Voltage rating: 600V AC / DC
- Current rating: 9A AC / DC
- Temperature range: -25°C~+85°C
- Contact resistance: ≤10mΩ

HRS-9357 W V X-01 P- N0 XX BK B

① ② ③ ④ ⑤ ⑥ ⑦ ⑧ ⑨ ⑩

- ① Series No.
- ② Category: W-wafer
- ③ Welding Board Angle:V-180°
- ④ Welding Way:Blank-DIP
- ⑤ Row No.-Pin No.: 01-1P
- ⑥ Special N0.: P-Post
- ⑦ Material: N0-PA66 94V-0
- ⑧ Planting Category:SW2-Matte Tin plating 120u" V01- All Gold Flash
- ⑨ Color: BK-Black
- ⑩ Packing Form: B-Bag



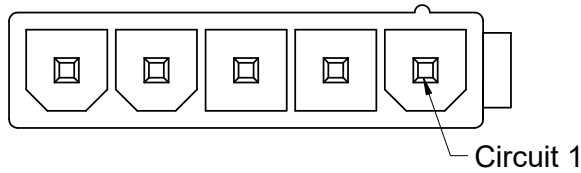
RECOMMEND P.C.B LAYOUT

HRS-9357WV-01P-N0SW2BK	PA66	Brass	Tin-Plated
HRS-9357WV-01P-N0V01BK	PA66	Brass	Gold-Flash
PART NO	Material	Material(Pin)	Finish(Pin)

					GENERAL TOLERANCE		Horus Int. Electronics Co., LTD. Horustech Electronics Co., LTD.				PART NO. HRS-9357WV-01P-N0XXBK					
					.X ±0.30						TITLE 4.2 mm Crimp Style Connectors					
2020.03.26	B	EN20200326002	Update Drawing Frame	Zeng	Robing	.XX ±0.20		APPROVAL	CHECK	DRAWN	DATE	UNIT	SCALE	SHEET	REV	NUMBER
DATE	REV	ECN NO	DESCRIPTION	MODIFY	APPROVAL	.XXX ±0.10		Jacky	Jacky	Yu wei	2017/07/15	mm	1:1	1/1	B	A-000
					X° ±2°		PROJECT									

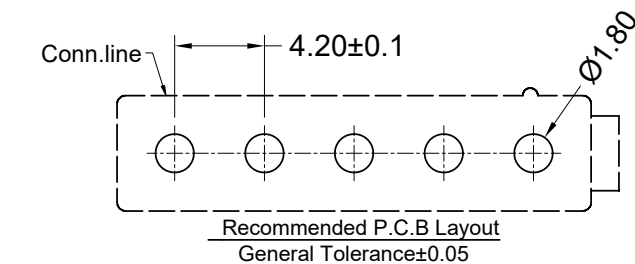
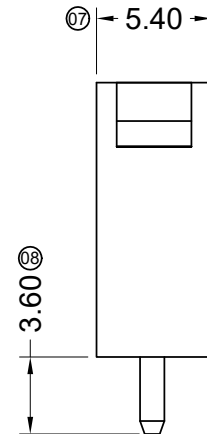
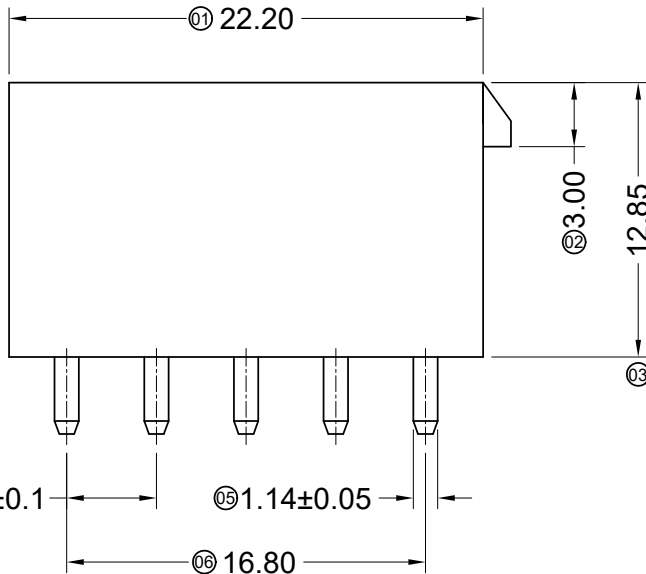
RoHS

This products can apply to the HRS Doc NO. QA-3-04-005 of Environmental&Material Management Rules



■ Specifications :

- Voltage rating: 600V AC / DC
- Current rating: 7A AC / DC
- Withstanding voltage: 1500V AC/minute
- Temperature range: -25°C~+85°C
- Insulation resistance: ≥1000MΩ
- Contact resistance: ≤10mΩ
- After environmental testing: ≤20mΩ



HRS-9357 W V X - 1 x 05 - N2 B B 02 B R 001 F

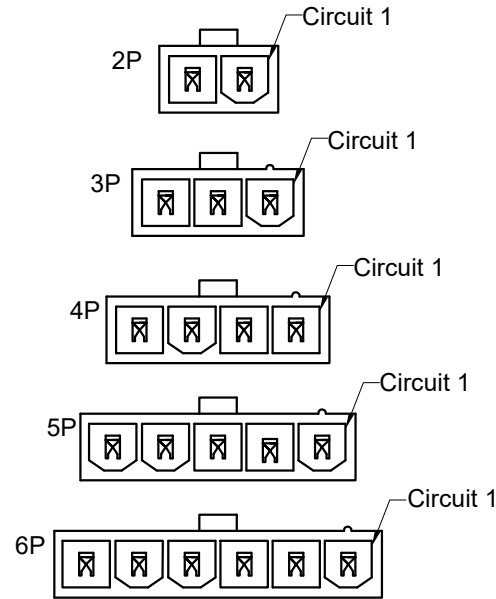
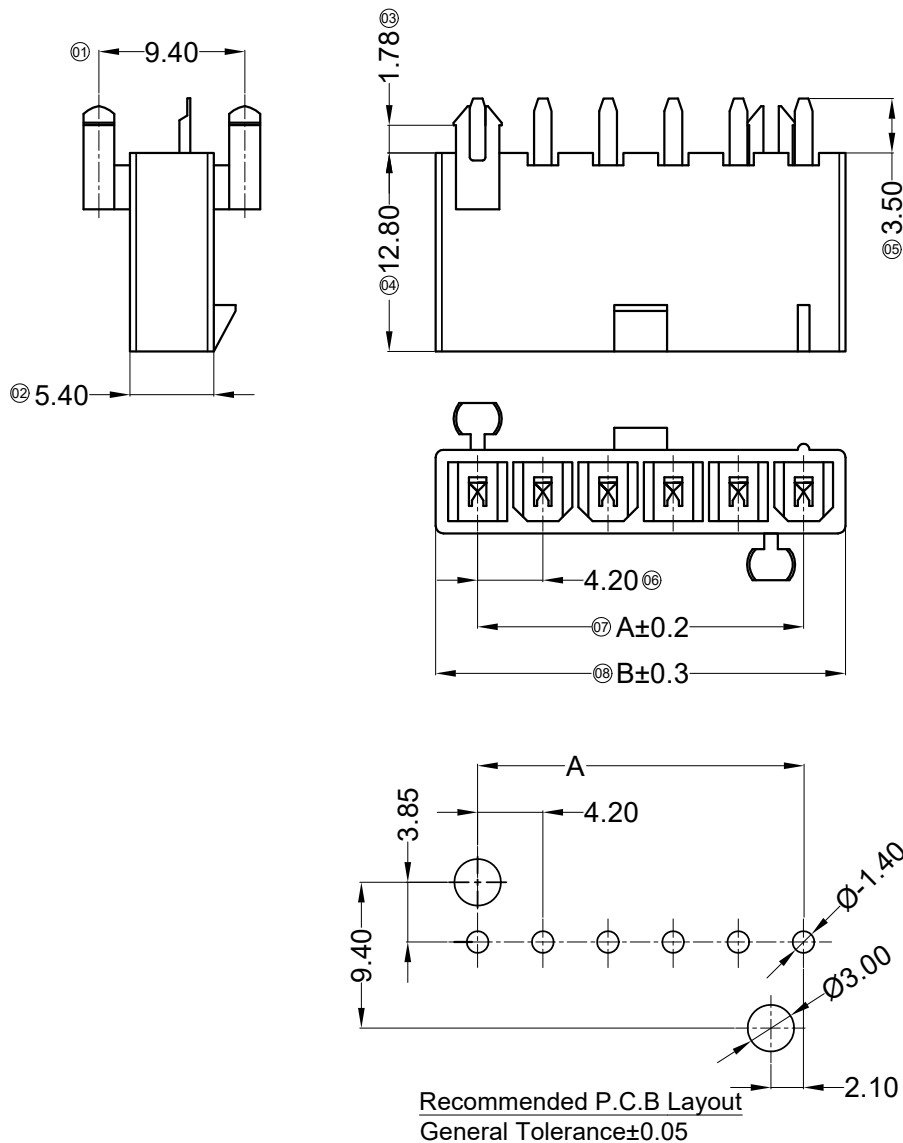
① ② ③ ④ ⑤ ⑥ ⑦ ⑧ ⑨ ⑩ ⑪ ⑫ ⑬

- ① Series No.
- ② Category: W-Wafer
- ③ Welding Board Angle: V- Straight 180°
- ④ Welding form: Blank-DIP
- ⑤ Row No.-Pin No.: 1x05-1x05P
- ⑥ Plastic material: N2-PA66 94V-2
- ⑦ Color : B-Black
- ⑧ Metal material: B-Brass
- ⑨ Plating Category:
02-Bright Tin Plating(Ni:30u"Min,Sn:80u"Min)
- ⑩ Packag: B-Bag
- ⑪ Green code: R-RoHS
- ⑫ Water code: 001
- ⑬ F-Other Connectors

					GENERAL TOLERANCE		Horus Int. Electronics. Co., LTD. Horustech Electronics. Co., LTD.				PART NO.				
					.X ±0.30						HRS-9357WV-1x05-N2BB02BR001F				
					.XX ±0.20		APPROVAL CHECK DRAWN DATE Smark Guo sylvia 2018/10/11				TITLE				
2020.03.26					.XXX ±0.10						4.20 mm Crimp Style Connectors				
B					X° ±2°		UNIT SCALE SHEET REV NUMBER mm 1:1 1/1 B A-043								
EN20200326002					PROJECT										
DATE	REV	ECN NO	DESCRIPTION	MODIFY	APPROVAL										

RoHS

This products can apply to the HRS Doc NO. QA-3-04-005 of Environmental&Material Management Rules



- Specifications :
- Voltage rating: 600V AC / DC
 - Current rating: 9A AC / DC
 - Withstanding voltage: 1500V AC/minute
 - Temperature range: -25°C~+85°C
 - Insulation resistance: $\geq 1000M\Omega$
 - Contact resistance: $\leq 10m\Omega$
 - After environmental testing: $\leq 20m\Omega$
 - Material(Pin): Brass
 - Mates With HRS Housing: HRS-9357HM

HRS-9357 W V X-XX FS-XX SN XX

- ① Series No.
 ② Category: W-wafer
 ③ Welding Board Angle: V- Straight 180°
 ④ Welding Way: Blank-DIP
 ⑤ Row No.-Pin No.: XX-02P~06P
 ⑥ Special No.:
 FS-The hollow needle with positioning column
 ⑦ Material: N0-PA66 94V-0; N2-PA66 94V-0
 ⑧ Planting Category: SN-Bright tin plating ;
 ⑨ Color: Blank-natural color

Poles	Dimensions(mm)	
	A	B
02	4.20	9.60
03	8.40	13.80
04	12.60	18.00
05	16.80	22.20
06	21.00	26.40

Recommended P.C.B Layout
 General Tolerance ± 0.05

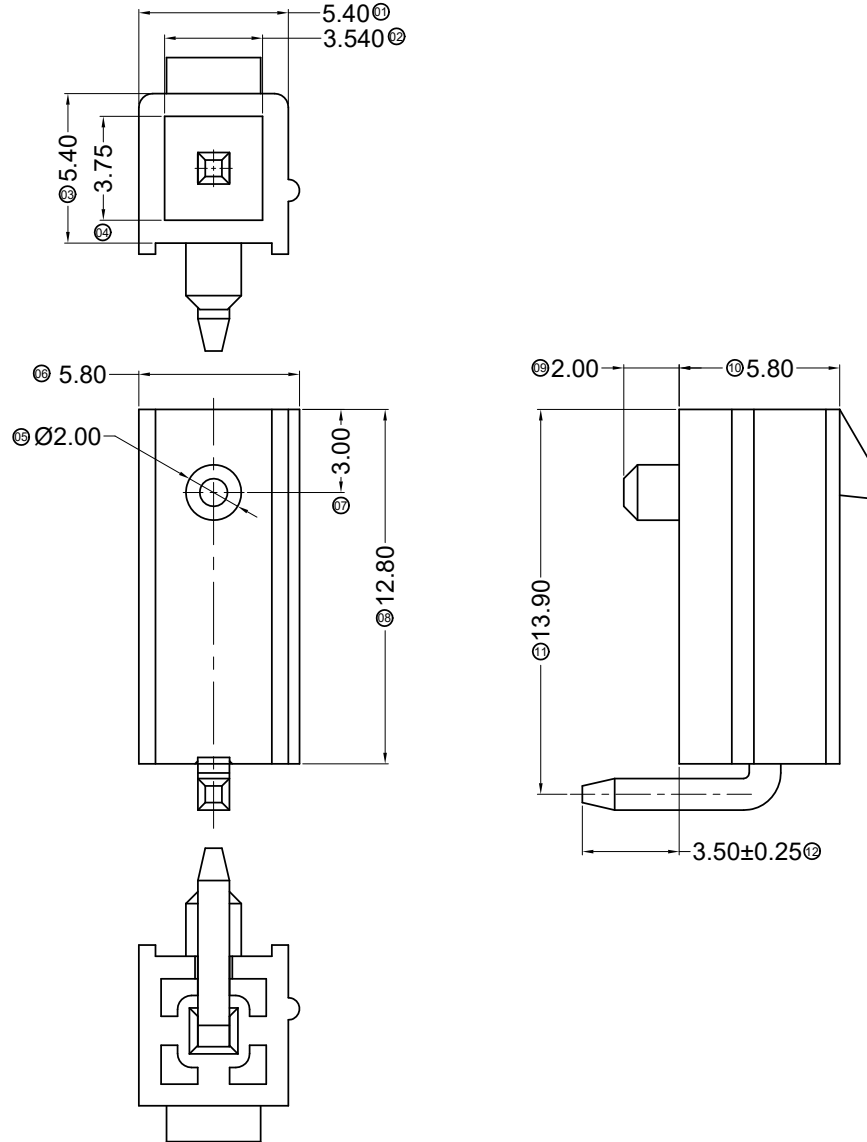
DATE	REV	ECN NO	DESCRIPTION	MODIFY	APPROVAL	PROJECT	APPROVAL	CHECK	DRAWN	DATE	UNIT	SCALE	SHEET	REV	NUMBER
2020/03/26	C	EN20200326002	Update Drawing Frame, The Same ECR And ECN NO	Zeng	Robing		Kim Huang	Jova Lau	Luna	2013/07/31	mm	1:1	1/1	C	A-053
2015/05/06	B		Modify the drawing frame format	Feng Ping	Bob Sun										

Horus Int. Electronics Co., LTD.
 Horustech Electronics Co., LTD.

PART NO.				
HRS-9357WV-XXFS-XXSN				
TITLE				
4.20mm Crimp Style connectors				
UNIT	SCALE	SHEET	REV	NUMBER
mm	1:1	1/1	C	A-053

RoHS

This products can apply to the HRS Doc NO. QA-3-04-005 of Environmental&Material Management Rules



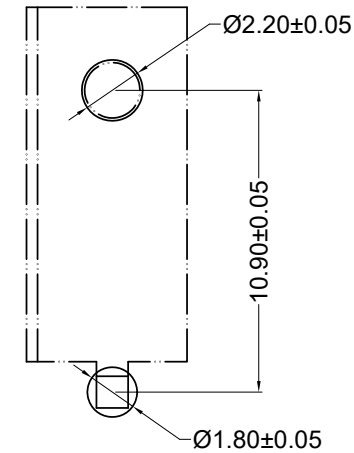
■ Specifications :

- Voltage rating: 600V AC / DC
- Current rating: 9A AC / DC
- Temperature range: -25°C~+85°C
- Contact resistance: ≤10mΩ

HRS-9357 W R X-01 P- N0 XX BK B

① ② ③ ④ ⑤ ⑥ ⑦ ⑧ ⑨ ⑩

- ① Series No.
- ② Category: W-Wafer
- ③ Welding Board Angle:R-90°
- ④ Welding Way:Blank-DIP
- ⑤ Row No.-Pin No.: 01-1pin
- ⑥ Special No.: P-Post
- ⑦ Material: N0-PA66 94V-0
- ⑧ Planting Category: SW2-Matte Tin plating 120u" V01-All Gold Flash
- ⑨ Color:BK-Black
- ⑩ Packing Form: B-Bag



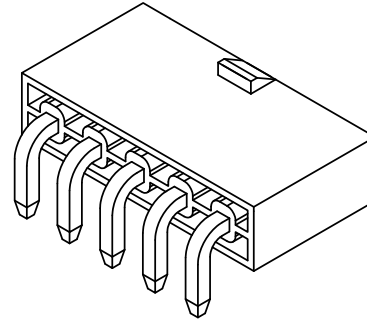
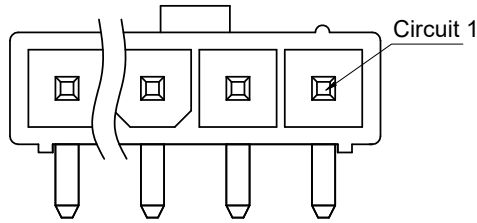
RECOMMEND P.C.B LAYOUT

HRS-9357WR-01P-N0SW2BKB	PA66 94V-0	Brass	Tin-Plated
HRS-9357WR-01P-N0V01BKB	PA66 94V-0	Brass	Gold-Flash
PART NO	Material	Material(Pin)	Finish(Pin)

					GENERAL TOLERANCE		Horus Int. Electronics Co., LTD. Horustech Electronics Co., LTD.				PART NO. HRS-9357WR-01P-N0XXBKB				
					.X ±0.30						APPROVAL				TITLE 4.20 mm Crimp Style Connectors
					.XX ±0.20		CHECK				UNIT				
					.XXX ±0.10		DRAWN				SCALE				
					X° ±2°		DATE				SHEET				
2020/03/26					B		EN20200326002				REV				
Update Drawing Frame					Zeng		Robing				NUMBER				
DATE					REV		ECN NO				mm				
DESCRIPTION					MODIFY		APPROVAL				1:1				
							PROJECT				1/1				
							Jacky				B				
							Jacky				A-000				
							Yu wei								
							2017/07/15								

RoHS

This products can apply to the HRS Doc NO. QA-3-04-005 of Environmental&Material Management Rules



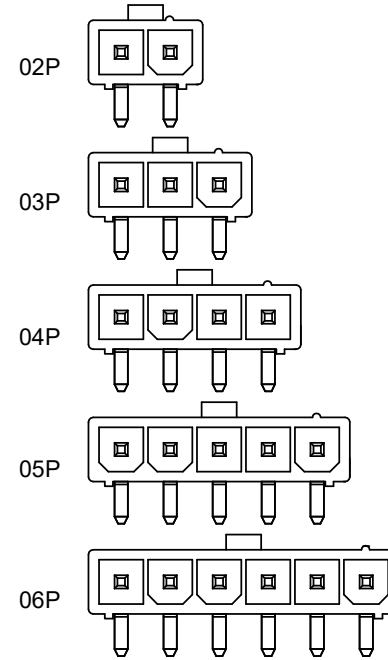
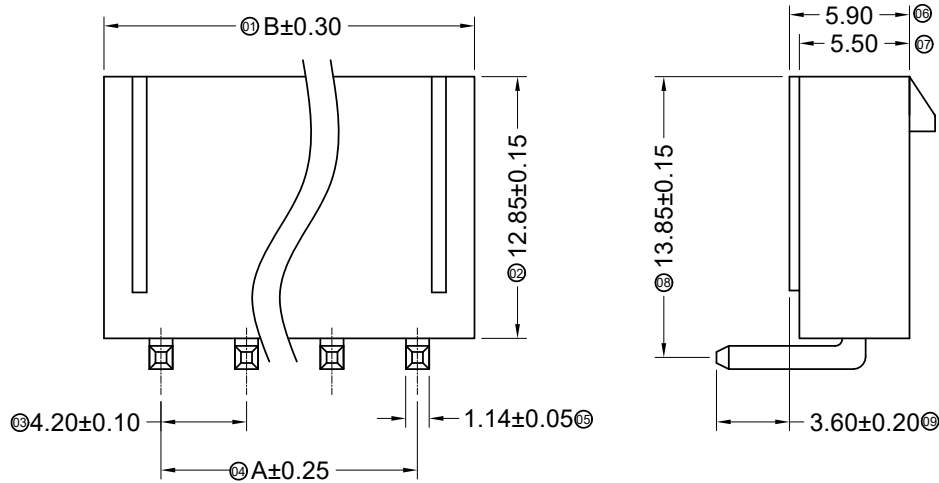
Specifications :

- Voltage rating: 600V AC / DC
- Current rating: 9A AC / DC
- Withstanding voltage: 1500V AC/minute
- Temperature range: -25°C~+85°C
- Insulation resistance:≥1000MΩ
- Contact resistance: ≤10mΩ
- After environmental testing: ≤20mΩ
- Mates With HRS Housing:HRS-9357HM-1xXX

HRS-9357 W R X-1xXX-N2 N B 02 B X 001 F

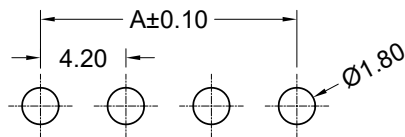
① ② ③ ④ ⑤ ⑥ ⑦ ⑧ ⑨ ⑩ ⑪ ⑫ ⑬

- ① Series No.
- ② Category: W-wafer
- ③ Welding Board Angle: R- 90°
- ④ Welding Way: Blank-DIP
- ⑤ Row No.-Pin No.: 1xXX-1x02~1x06P
- ⑥ Plastic Material: N0-PA66 94V-0 ;N2-PA66 94V-2
- ⑦ Color: N-Natural color ;B-Black
- ⑧ Hardware Material: B-Brass;H-High conductivity copper
- ⑨ Planting Category: 02-Bright tin plating
- ⑩ Packag: B-Bag
- ⑪ Green code: Y-Halogen ; H-Halogen Free
- ⑫ Water code:001
- ⑬ F-Other Connectors



CIRCUIT SIZE LAYOUT

PART NO.	Dimensions (mm)	
	A	B
02	4.20	9.80
03	8.40	14.00
04	12.60	18.20
05	16.80	22.40
06	21.00	26.60

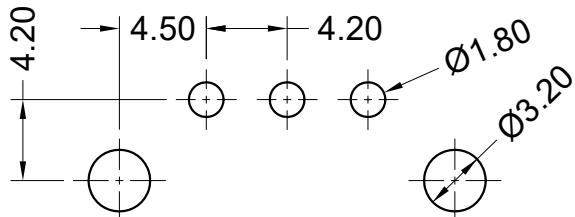
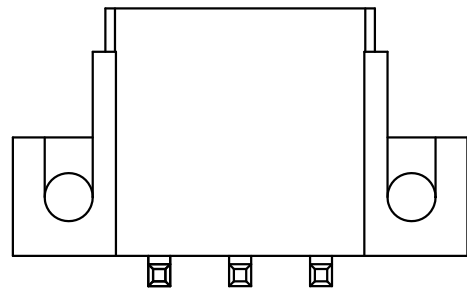
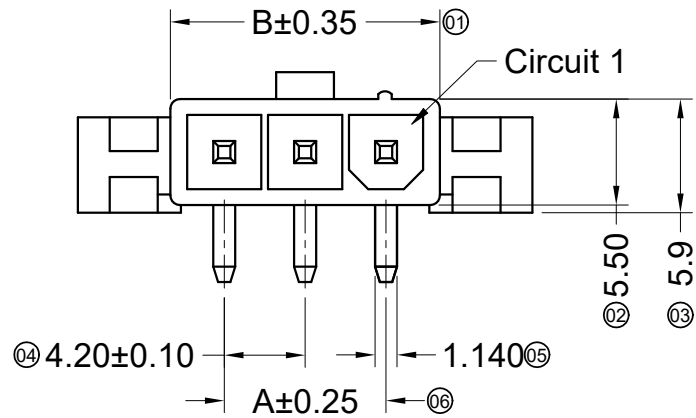


Recommended P.C.B Layout
General Tolerance±0.05

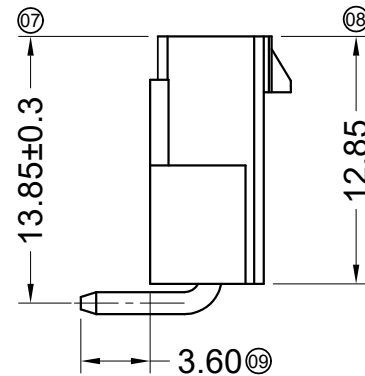
						GENERAL TOLERANCE		Horus Int. Electronics. Co., LTD. Horustech Electronics. Co., LTD.				PART NO.				
						.X ±0.30						HRS-9357WR-1xXX-XXNB02BX001F				
						.XX ±0.20		APPROVAL				TITLE				
						.XXX ±0.10						4.20mm Crimp Style Connectors				
						X° ±2°		APPROVAL: Robing CHECK: Zeng DRAWN: Yu wei DATE: 2018/06/06				UNIT				
2020/03/26						PROJECT						SCALE				
B						PROJECT		SHEET								
EN20200326002						PROJECT		REV								
Update Drawing Frame						PROJECT		NUMBER								
Zeng						PROJECT		mm								
Robing						PROJECT		1:1								
DESCRIPTION						PROJECT		1/1								
MODIFY						PROJECT		B								
APPROVAL						PROJECT		A-007								
DATE						PROJECT										
REV						PROJECT										
ECN NO						PROJECT										
DESCRIPTION						PROJECT										
MODIFY						PROJECT										
APPROVAL						PROJECT										

RoHS

This products can apply to the HRS Doc NO. QA-3-04-005 of Environmental&Material Management Rules



RECOMMENDED P.C.B LAYOUT (TOLERANCE:±0.05)



Poles	Dimensions (mm)	
	A	B
02	4.20	9.80
03	8.40	14.00
04	12.60	18.20
05	16.80	22.40
06	21.00	26.60

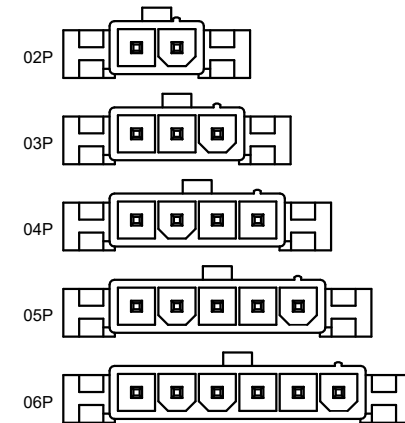
Specifications :

- Voltage rating: 600V AC / DC
- Current rating: 7A AC / DC
- Withstanding voltage: 1500V AC/minute
- Temperature range: -25°C~+85°C
- Insulation resistance:≥1000MΩ
- Contact resistance: ≤10mΩ
- After environmental testing: ≤20mΩ
- Material(Pin): Brass
- Mates With HRS Housing: HRS-9357HM

HRS-9357 W R X-XX ES-XX SN XX

① ② ③④ ⑤ ⑥ ⑦ ⑧ ⑨

- ① Series No.
- ② Category: W-wafer
- ③ Connector Type: R-Right Angle 90°
- ④ Mounting Type: Blank-DIP
- ⑤ Row No.-Pin No Per Row: XX-Single Row
- ⑥ Special No.:ES-With Ears and Screw Holes
- ⑦ Plastic material: N2- PA66 UL94V-2; N0-PA66 UL94V-0
- ⑧ Plating Code: SN-Bright Tin Plating
- ⑨ Color: Blank-Natural Color



GENERAL TOLERANCE

- .X ±0.30
- .XX ±0.20
- .XXX ±0.10
- X.° ±2°

PROJECT



Horus Int. Electronics Co., LTD.
Horus Int. Electronics Co., LTD.

PART NO.

HRS-9357WR-XXES-XXSN

TITLE

4.20mm Crimp Style Connectors

UNIT	SCALE	SHEET	REV	NUMBER
mm	1 : 1	1/1	A	A-007

APPROVAL CHECK DRAWN DATE

Robing Robing sylvia 2018/09/16

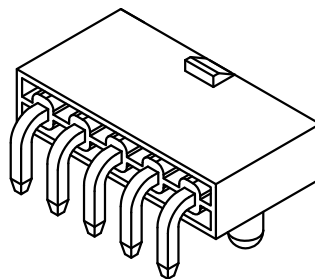
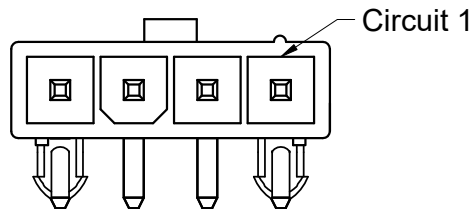
DATE REV ECN NO. DESCRIPTION MODIFY APPROVAL

1 2 3 4 5 6 7 8

RoHS

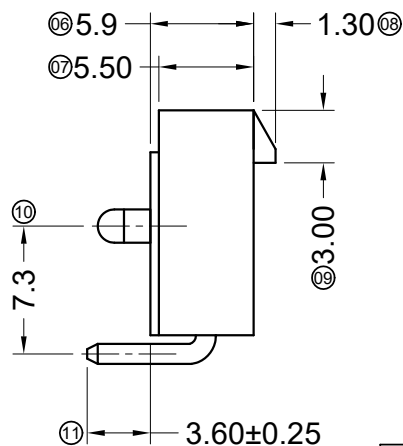
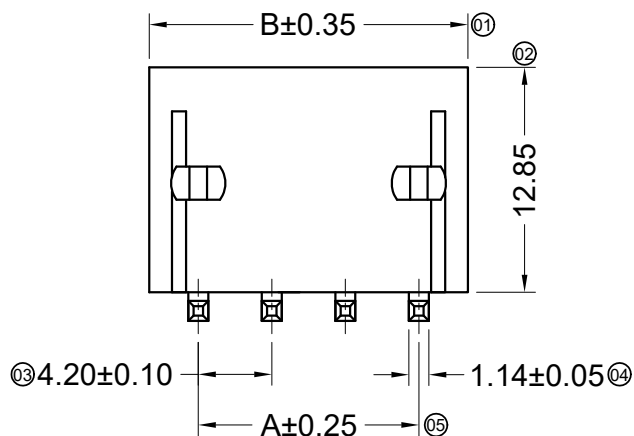
This products can apply to the HRS Doc NO. QA-3-04-005 of Environmental&Material Management Rules

- Specifications :
- Voltage rating: 600V AC / DC
- Current rating: 7A AC / DC
- Withstanding voltage: 1500V AC/minute
- Temperature range: -25°C~+85°C
- Insulation resistance: ≥1000MΩ
- Contact resistance: ≤10mΩ
- After environmental testing: ≤20mΩ
- Material(Pin): Brass
- Mates With HRS Housing: HRS-9357HM-XX

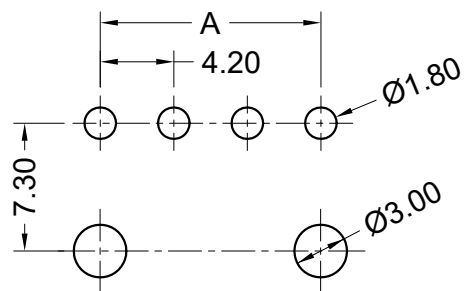


HRS-9357 W R X-XX S-XX SN XX-07
① ② ③ ④ ⑤ ⑥ ⑦ ⑧ ⑨ ⑩

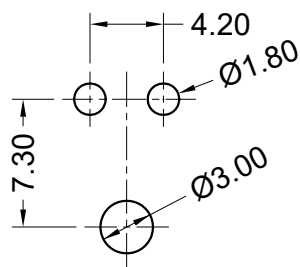
- ① Series No.
- ② Category: W-wafer
- ③ Connector Type: R-Right Angle 90°
- ④ Mounting Type: Blank-DIP
- ⑤ Row No.-Pin No Per Row: XX-Single Row
- ⑥ Special No.:S-With Post
- ⑦ Plastic material: N2- PA66 UL94V-2;
N0-PA66 UL94V-0
- ⑧ Plating Code: SN-Bright Tin Plating
- ⑨ Color: Blank-Natural Color
- ⑩ Sequence Number:07



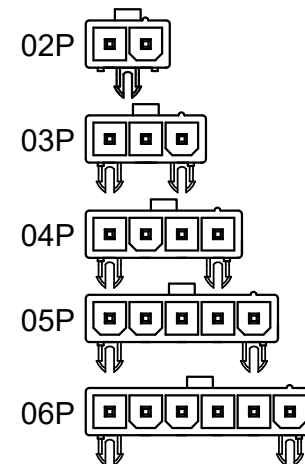
Poles	Dimensions (mm)	
	A	B
02	4.20	9.80
03	8.40	14.00
04	12.60	18.20
05	16.80	22.40
06	21.00	26.60



03-06P
P.C.B LAYOUT



02P
P.C.B LAYOUT



CIRCUIT SIZE LAYOUT

DATE	REV	ECN NO.	DESCRIPTION	MODIFY	APPROVAL	PROJECT	APPROVAL	CHECK	DRAWN	DATE	PART NO. HRS-9357WR-XXS-XXSN-07				
						GENERAL TOLERANCE					TITLE 4.20mm Crimp Style Connectors				
						.X ±0.30					UNIT	SCALE	SHEET	REV	NUMBER
						.XX ±0.20					mm	1 : 1	1/1	A	A-007
						.XXX ±0.10									
						X.° ±2°									



Horus Int. Electronics Co., LTD.
Horus Int. Electronics Co., LTD.

APPROVAL: Robing
CHECK: Robing
DRAWN: sylvia
DATE: 2018/09/16

RoHS

This products can apply to the HRS Doc NO. QA-3-04-005 of Environmental&Material Management Rules

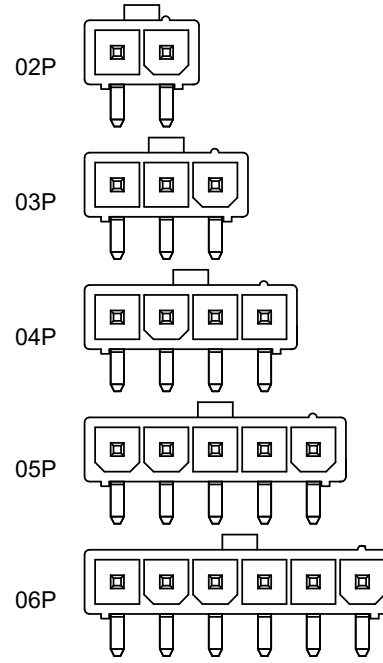
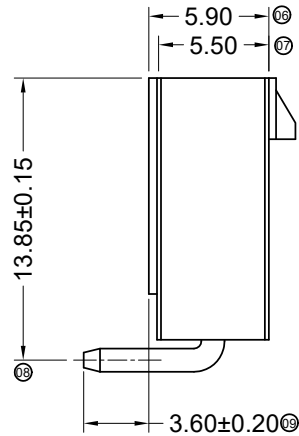
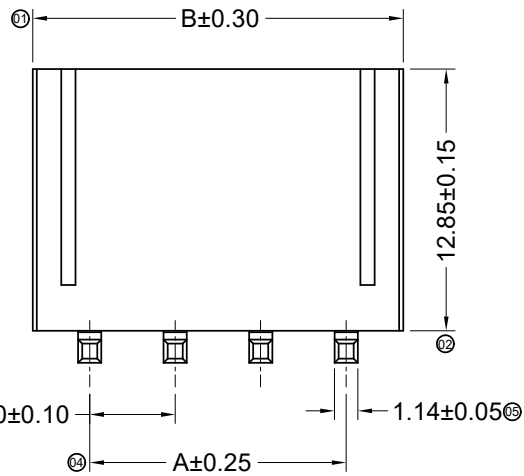
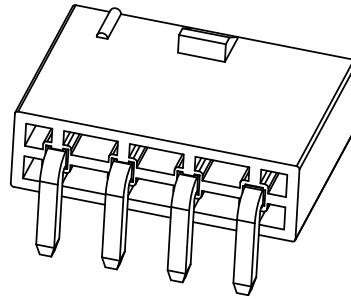
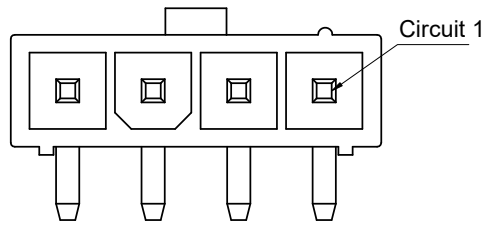
Specifications :

- Voltage rating: 600V AC / DC
- Current rating: 7A AC / DC
- Withstanding voltage: 1500V AC/minute
- Temperature range: -25°C~+85°C
- Insulation resistance:≥1000MΩ
- Contact resistance: ≤10mΩ
- After environmental testing: ≤20mΩ
- Mates With HRS Housing: HRS-9357HM-1xXX

HRS-9357 W R X-XX-XX XX XX XX-07

- ① ② ③ ④ ⑤ ⑥ ⑦ ⑧ ⑨ ⑩

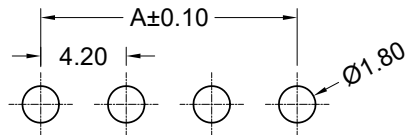
- ① Series No.
- ② Category: W-wafer
- ③ Connector Type: R-90°
- ④ Mounting Type: Blank-DIP
- ⑤ Row No.-Pin No.: XX-02~06P
- ⑥ Special NO. :
- ⑦ Material: N0-PA66 94V-0 ; N2-PA66 94V-2
- ⑧ Plating Code: SN-Bright tin plating
- ⑨ Color: Blank-Natural Color BK-Black
- ⑩ Special NO: Blank ; 07



CIRCUIT SIZE LAYOUT

PART NO.	Dimensions (mm)	
	A	B
02	4.20	9.80
03	8.40	14.00
04	12.60	18.20
05	16.80	22.40
06	21.00	26.60

Recommended P.C.B Layout
General Tolerance±0.05



					<p>GENERAL TOLERANCE</p> <p>.X ±0.35</p> <p>.XX ±0.25</p> <p>.XXX ±0.15</p> <p>X.° ±2°</p>				<p>Horus Int. Electronics. Co., LTD.</p> <p>Horus Int. Electronics. Co., LTD.</p>				<p>PART NO.</p> <p>HRS-9357WR-XX-XXSN-07</p>												
					<p>APPROVAL</p> <p>Robing</p>				<p>CHECK</p> <p>Zeng</p>				<p>DRAWN</p> <p>Yu wei</p>				<p>DATE</p> <p>2018/06/06</p>				<p>TITLE</p> <p>4.20mm Crimp Style Connectors</p>				
DATE	REV	ECN NO	DESCRIPTION	MODIFY	APPROVAL	PROJECT							UNIT	SCALE	SHEET	REV	NUMBER								
													mm	1:1	1/1	A	A-007								